

<b>Model:</b> PRIPORT PINKGOLD		<b>Date:</b> 20-May-02	<b>No:</b> M-C238-001
<b>Modified Article:</b> Thin pads		<b>Prepared by:</b>	
<b>From:</b> Priport Service Planning Section		H. Onodera	
<b>Classification:</b> <input type="checkbox"/> Parts catalog correction <input type="checkbox"/> Vendor change <input type="checkbox"/> To meet standards <input type="checkbox"/> To facilitate assembly <input checked="" type="checkbox"/> To improve reliability                 (      ) <input type="checkbox"/> Part standardization <input type="checkbox"/> Other (      )			
<b>Model Name:</b> Ricoh JP3000/JP3800, Gestetner 5430/5428C, RexRotary 1330, nashuatec CP430, Savin 3260DNP, Standard SD370			

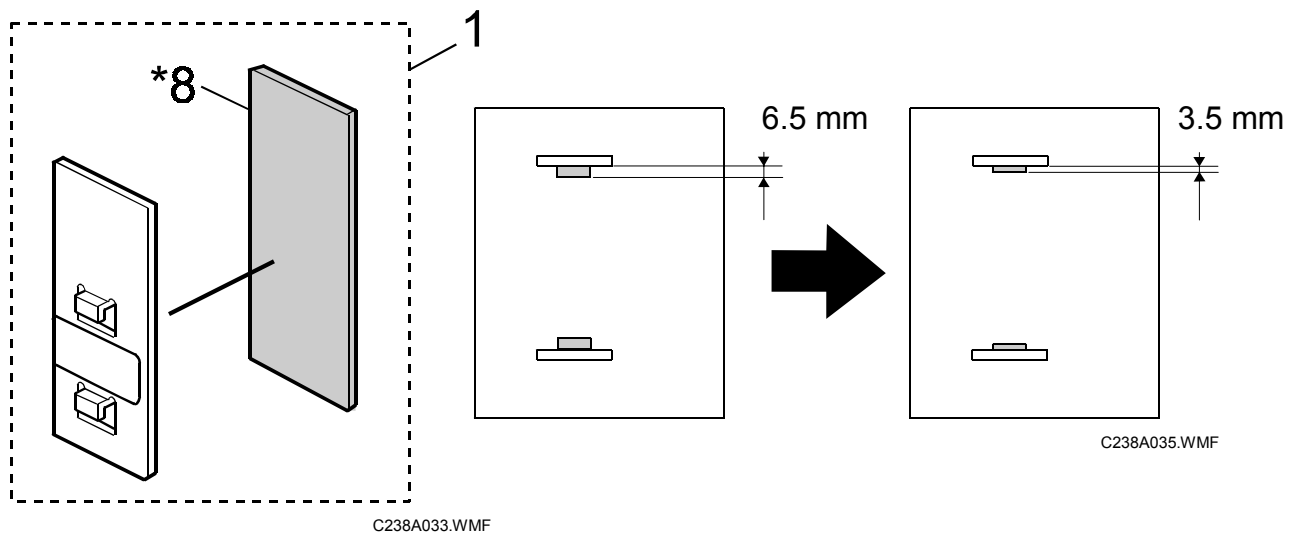
To solve the 7mm image shift, the thickness of the pad below has been decreased from 6.5mm to 3.5mm. As shown below, the new thinner pad is available both as an independent part (C2382772) and as a set with the plate (C2382770). Please see the next page for the replacement procedure, and RTB #RC238002 for more details.

As mentioned in the above RTB, the basic solution to the shift is to remove the pads. However, if the pads need to be used (e.g. for misfeeds), please do the following:

1. Update to firmware suffix D and install the new pads below, **OR**:
2. Use the tray dial to shift (align) the image on the page.

Old part number	New part number	Description	Q'ty	Int	Page	Index
C2382771	C2382770	Paper plate thin pad	2	X/O	65	1
-	C2382772	Thin pad	2	-	65	*8

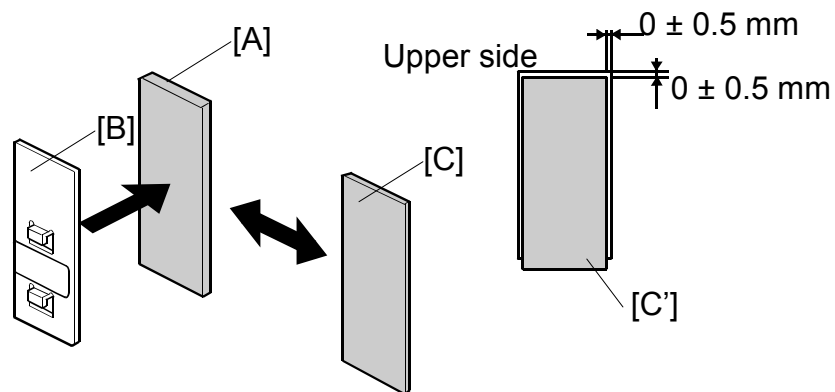
\*: New index.



Model: PRIPORT PINKGOLD

Date: 20-May-02

No: M-C238-001

**REPLACEMENT PROCEDURE:**

C238A032.WMF

Thin pads: C2382772      2 pcs

1. Remove the present pad [A] from the plate [B].
2. Attach the thin pad [C] to the plate [B] (same plate can be used).

**NOTE:** Be sure to align the upper edges of the pad and plate. The pad's lower edge [C'] will then stick out about 2mm from the plate, but this is normal.

3. Repeat the above steps for the other pad.

<b>Model:</b> PRIPORT PINKGOLD	<b>Date:</b> 20-May-02	<b>No:</b> M-C238-001
--------------------------------	------------------------	-----------------------

## CUT-IN SERIAL NUMBERS

Model Name	V/Hz	Destination	Code	Serial Number
Standard SD370	120/60	USA, Canada	C238-11	Discontinued
Gestetner 5430	120/60	Taiwan	C238-13	Discontinued
Ges 5430, Rex 1330, Nsa CP430	230/50	Europe	C238-22	Discontinued
Gestetner 5430	230/50	Asia, etc.	C238-23	Discontinued
Ricoh JP3800	230/50	China	C238-26	Discontinued
Ricoh JP3000	230/50	Europe	C238-27	Discontinued
Gestetner 5428C	230/50	China	C238-28	Discontinued
Ricoh JP3000	230/50	Asia, etc.	C238-29	Discontinued
Ricoh JP3000, Ges 5430, Savin 3260DNP	120/60	USA, Canada	C238-52	Discontinued
Ricoh JP3000, Gestetner 5430	230/50	Latin America	C238-54	Discontinued
Standard SD370	120/60	USA, Canada	C238-61	F0920670001
Gestetner 5430	120/60	Taiwan	C238-63	F0920670001
Ges 5430, Rex 1330, Nsa CP430	230/50	Europe	C238-72	F0920670001
Gestetner 5430	230/50	Asia, etc.	C238-73	F0920670001
Ricoh JP3800	230/50	China	C238-76	F0920670001
Ricoh JP3000	230/50	Europe	C238-77	F0920670001
Gestetner 5428C	230/50	China	C238-78	F0920670001
Ricoh JP3000	230/50	Asia, etc.	C238-79	F0920670001
Ricoh JP3000, Ges 5430, Savin 3260DNP	120/60	USA, Canada	C238-92	F0920670001
Ricoh JP3000, Gestetner 5430	230/50	Latin America	C238-94	F0920670001

<b>Model:</b> PRIPORT PINKGOLD	<b>Date:</b> 30-Oct-02	<b>No:</b> M-C238-002
<b>Modified Article:</b> New model PG B4 information (China only)	<b>Prepared by:</b>	
<b>From:</b> Priport Service Planning Section	H. Onodera	
<b>Classification:</b>	<input type="checkbox"/> Parts catalog correction <input type="checkbox"/> Vendor change <input type="checkbox"/> To meet standards <input type="checkbox"/> To facilitate assembly <input type="checkbox"/> To improve reliability      (      ) <input type="checkbox"/> Part standardization <input checked="" type="checkbox"/> Other (New machine information)	
<b>Model Name:</b>		
PINKGOLD: Ricoh JP3000/JP3800, Gestetner 5430/5428C, RexRotary 1330, nashuatec CP430, Savin 3260DNP, Standard SD370, Lanier LDD030		
PG B4 (China only): Ricoh JP2800, Gestetner 5425C		

This bulletin lists the components unique to the PG B4 (C247), a summary for which appears on the second to last page. Please add these lists and illustrations to your PINKGOLD (C238) Parts Catalog.

**Note:** Please also see RTB #RC238004 for revisions made to the Service Manual due to minor changes applied to the PG B4.

The major difference from the PINKGOLD is the size of the printable area:

PINKGOLD: 290 x 410 mm (A3)

PG B4: 251 x 355 mm (B4)

Also, the PG B4 was released in October 2002 to the China field only, the model names for which are as follows:

Ricoh model: JP2800 (C247-76)

Gestetner model: 5425C (C247-78)

**Model:** PRIPORT PINKGOLD

**Date:** 30-Oct-02

**No:** M-C238-002

## 1. EXTERIOR

Sec	Index	Parts No.	Description	Q'ty	Page
1	6	C2471321	Emblem decal - GES:CHN:B4 (5425C)	1	7
1	6	C2471325	Emblem decal - RIC:CHN:B4 (JP2800)	1	7

## 2. OPERATION PANEL

Sec	Index	Parts No.	Description	Q'ty	Page
2	*	C2471426	Operation panel - CHN:B4	1	9
2	4	C2471502	Middle sheet - CHN:B4	1	9

## 9. PLOTTER UNIT 1

Sec	Index	Parts No.	Description	Q'ty	Page
9	17	C2472104	Platen roller - B4	1	23

## 10. PLOTTER UNIT 2

Sec	Index	Parts No.	Description	Q'ty	Page
10	11	C2472151	Thermal head - B4	1	25
10	14	C2472026	Thermal head base - B4	1	25
10	17	C2472093	Thermal head guide - B4	1	25
10	32	C2475246	Thermal head DC harness - B4	1	25

## 11. PRESS ROLLER SECTION

Sec	Index	Parts No.	Description	Q'ty	Page
11	14	C2473064	Press roller - B4	1	27

## 12. DRUM UNIT 1

Sec	Index	Parts No.	Description	Q'ty	Page
12	33	C2472538	Connector bracket - B4	1	29

**Model:** PRIPORT PINKGOLD

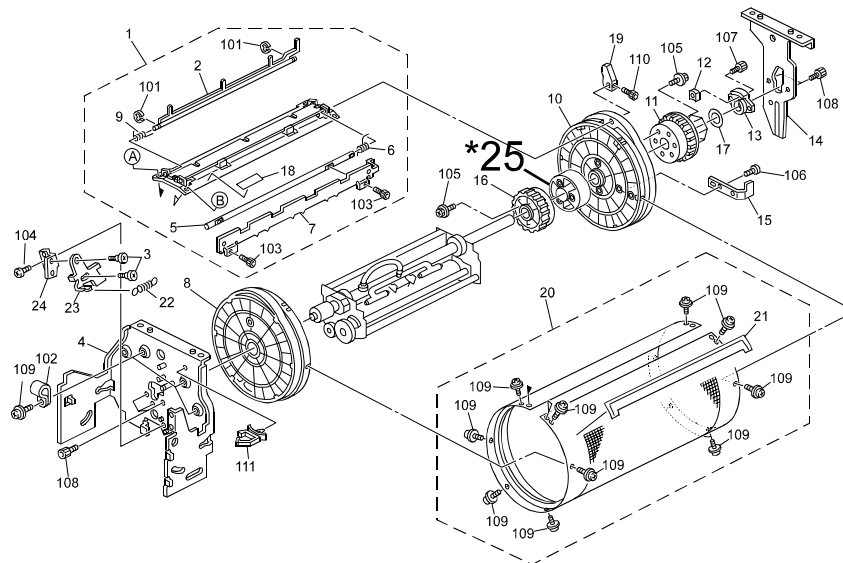
**Date:** 30-Oct-02

**No:** M-C238-002

## 13. DRUM UNIT 2

Sec	Index	Parts No.	Description	Q'ty	Page
13	1	C2472381	Cloth screen - B4	1	31
13	3	-	PG B4 does not use.	0	31
13	4	C2472390	Drum sensor sheet - B4	1	31
13	5	C2472383	Sandpaper - B4	1	31
13	6	C2472388	Screen holder 1	1	31
13	17	C2472389	Screen holder 2	1	31
13	18	-	PG B4 does not use.	0	31

## 14. DRUM UNIT 3

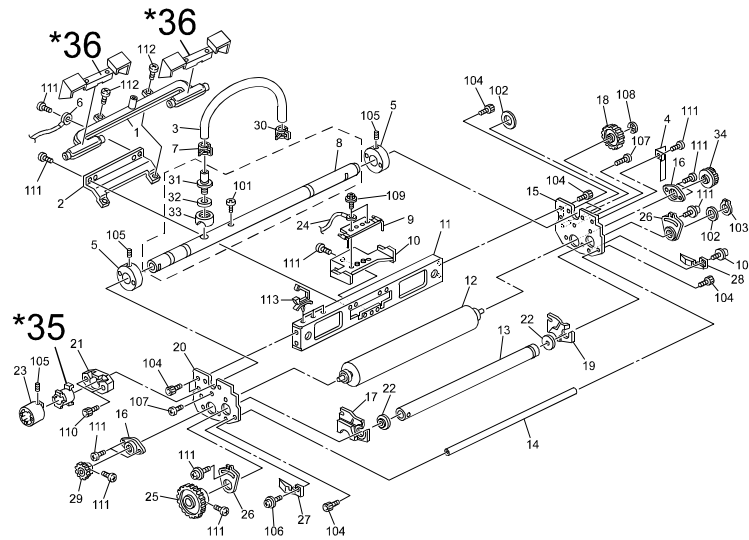


C238A083.WMF

Sec	Index	Parts No.	Description	Q'ty	Page
14	8	C2472360	Front drum flange - B4	1	33
14	10	C2472362	Rear drum flange - B4	1	33
14	20	C2472580	Metal screen - B4	1	33
14	21	C2472582	Metal screen sheet - B4	1	33
14	*25	C2472367	Rear drum spacer - B4	1	33

\*: New index

## 15. DRUM UNIT 4



C238A084.WMF

Sec	Index	Parts No.	Description	Q'ty	Page
15	1	C2292535	Ink distributor	1	35
15	8	C2472475	Drum shaft ASS'Y - B4	1	35
15	9	C2472471	Ink sensor - B4	1	35
15	10	C2472470	Ink sensor bracket - B4	1	35
15	11	C2472463	Drum main stay - B4	1	35
15	12	C2472450	Ink roller - B4	1	35
15	13	C2472454	Doctor roller - B4	1	35
15	14	C2472465	Drum stay shaft - B4	1	35
15	*35	C2472398	Front drum spacer - B4	1	35
15	*36	C2472468	Ink pipe cover	2	35

\*: New index

**Model:** PRIPORT PINKGOLD

**Date:** 30-Oct-02

**No:** M-C238-002

**18. MASTER EJECT UNIT**

Sec	Index	Parts No.	Description	Q'ty	Page
18	*	C2473400	Master eject unit - B4	1	41
18	10	C2473462	Master eject stay - B4	1	41
18	18	C2473468	Upper eject roller - B4	1	41
18	19	C2473466	Lower eject roller - B4	1	41
18	20	C2473457	Master eject base - B4	1	41
18	23	C2474352	Air knife duct - B4	1	41
18	24	C2315880	Air knife fan	2 to1	41
18	26	C2473460	Air knife bracket - B4	1	41

**21. ELECTRICAL SECTION 1**

Sec	Index	Parts No.	Description	Q'ty	Page
21	1	C2475100	MPU board - B4	1	47
21	22	C2475127	Program I/O	1	47
21	24	C2475117	Program MPU	1	47

**22. ELECTRICAL SECTION 2**

Sec	Index	Parts No.	Description	Q'ty	Page
22	10	C2472611	Connector bracket - B4	1	49

**25. DECALS AND DOCUMENTS**

Sec	Index	Parts No.	Description	Q'ty	Page
25	4	C2471321	Emblem decal - GES:CHN:B4 (5425C)	1	63
25	4	C2471325	Emblem decal - RIC:CHN:B4 (JP2800)	1	63

**PM PARTS INDEX**

Section name	Parts No.	Description	Q'ty	Page-Index
11. Press roller section	C2473064	Pressure roller – B4	1	27-14
13. Drum unit 2	C2472381	Cloth screen – B4	1	31-1



**Model:** PRIPORT PINKGOLD**Date:** 30-Oct-02**No:** M-C238-002**CUT IN SERIAL NUMBERS (START SERIAL NUMBERS)**

<b>Model Name</b>	<b>V/Hz</b>	<b>Destination</b>	<b>Code</b>	<b>Serial Number</b>
Ricoh JP2800	230/50	China	C247-76	F2421070001
Gestetner 5425C	230/50	China	C247-78	F2421070001

**Model:** PRIPORT PINKGOLD

**Date:** 30-Oct-02

**No:** M-C238-002

## SUMMARY OF C247/C238 COMPONENT DIFFERENCES

PC NO. Page-Index	Item	Remarks	Note
<b>Front side:</b>			
7-6	Emblem decal	Shape changed to conform to B4 paper size.	
9-4 9-*	Operation panel	"A3" has been changed to "B4" in displays for the preset enlargement/reduction ratios. Panel assembly itself also changed.	
	Plotter:		
23-17	Platen roller	Shape changed to conform to B4 paper size.	
25-11	Thermal head	Shape changed to conform to B4 paper size.	
25-14	Thermal head base	Position of master end sensor changed for new B4 master roll.	
25-17	Thermal head cover	Shape changed to conform to B4 paper size.	
25-32	Thermal head DC harness	Changed to accommodate new thermal head.	
<b>Pressure:</b>			
27-14	Pressure roller	Shape changed to conform to B4 paper size.	
<b>Drum:</b>			
29-33	Connector bracket	Changed because the PINKGOLD's A3/A4 drums cannot be used on this model.	
31-1 31-3 31-4 31-5	Cloth screen Small sandpaper Sensor sheet Big sandpaper	Shape changed to conform to B4 paper size.	
31-6, -17	Screen holders	Shape changed to conform to B4 paper size.	
31-18	Screen Mylar	(Do not use).	
33-8, -10	Drum flanges	Shape changed to conform to B4 size.	
33-20	Metal screen	(same as above)	
33-21	Metal screen sheet	(same as above)	
33-25*	Rear drum spacer	(same as above)	
35-1	Ink distributor	(same as above)	
35-8	Drum shaft	(same as above)	
35-9	Ink sensor	(same as above)	
35-10	Ink sensor bracket	(same as above)	
35-11	Drum main stay	(same as above)	
35-12	Ink roller	(same as above)	
35-13	Doctor roller	(same as above)	
35-14	Drum stay shaft	(same as above)	
35-35*	Front drum spacer	(same as above)	
35-36*	Ink pipe cover (x2)	Added to prevent ink from the ink distributor from sticking to the ink sensor.	

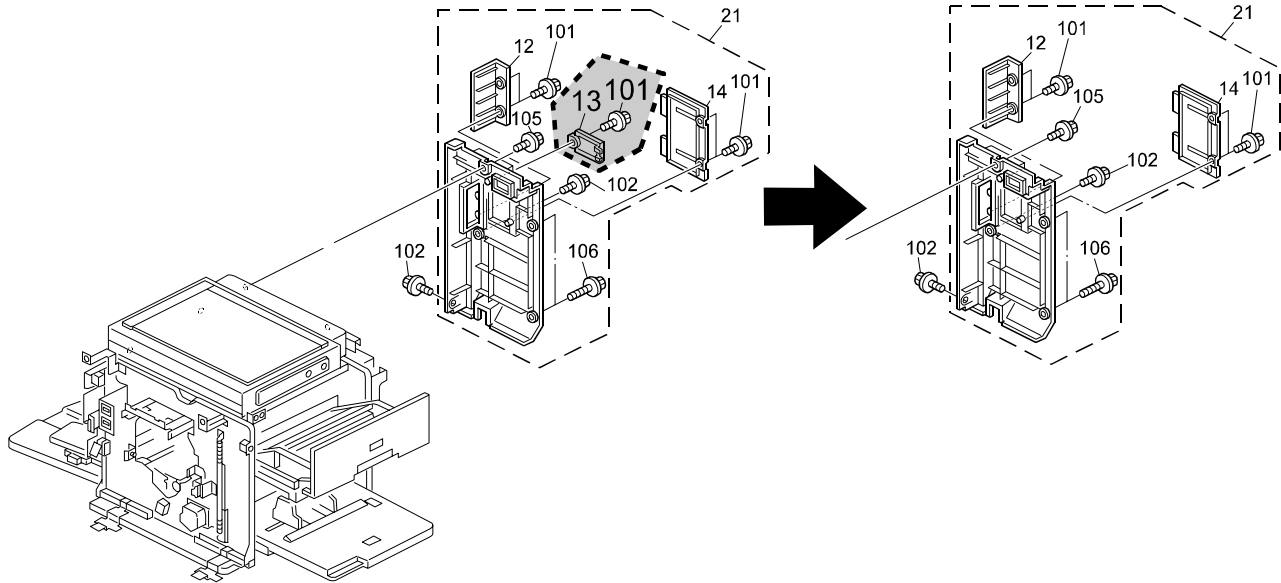
<b>Model:</b> PRIPORT PINKGOLD	<b>Date:</b> 30-Oct-02	<b>No:</b> M-C238-002
--------------------------------	------------------------	-----------------------

PC NO. Page-Index	Item	Remarks	Note
<b>Master eject unit:</b>			
41-*	Master eject unit	Shape changed to conform to B4 size.	
41-10	Master eject stay	(same as above)	
41-18	Upper eject roller	(same as above)	
41-19	Lower eject roller	(same as above)	
41-20	Master eject base	(same as above)	
41-23	Air knife duct	Changed due to deletion of a fan motor (2→1).	
41-24	Air knife fan	1 fan motor deleted (2→1).	
41-26	Air knife bracket	(same as above)	
<b>Electrical section:</b>			
47-1	MPU	Changed to accommodate new thermal head.	
47-22	Program I/O	Changed due to input/output signal timing changes.	
47-24	Program MPU	(same as above)	
49-10	Connector bracket	Changed because the PINKGOLD's A3/A4 drums cannot be used on this model.	

<b>Model:</b> PRIPORT PINKGOLD		<b>Date:</b> 20-Nov-02	<b>No:</b> M-C238-003
<b>Modified Article:</b> DF connector cover		<b>Prepared by:</b>	
<b>From:</b> Priport Service Planning Section		H. Onodera	
<b>Classification:</b> <input checked="" type="checkbox"/> Parts catalog correction <input type="checkbox"/> Vendor change <input type="checkbox"/> To meet standards <input type="checkbox"/> To facilitate assembly <input type="checkbox"/> To improve reliability ( ) <input type="checkbox"/> Part standardization <input type="checkbox"/> Other ( )			
<b>Model Name:</b> PINKGOLD: Ricoh JP3000/JP3800, Gestetner 5430/5428C, RexRotary 1330, nashuatec CP430, Savin 3260DNP, Standard SD370, Lanier LDD030 PG B4 (China only): Ricoh JP2800, Gestetner 5425C			

The DF Connector Cover has been removed from the Left Rear Cover assembly, as this part is unnecessary.

Old part number	New part number	Description	Q'ty	Int	Page	Index
C2381360	C2381362	Left rear cover	1	O/O	7	21
C2381365	-	-	0	-	7	13



**Model:** PRIPORT PINKGOLD

**Date:** 20-Nov-02

**No:**M-C238-003

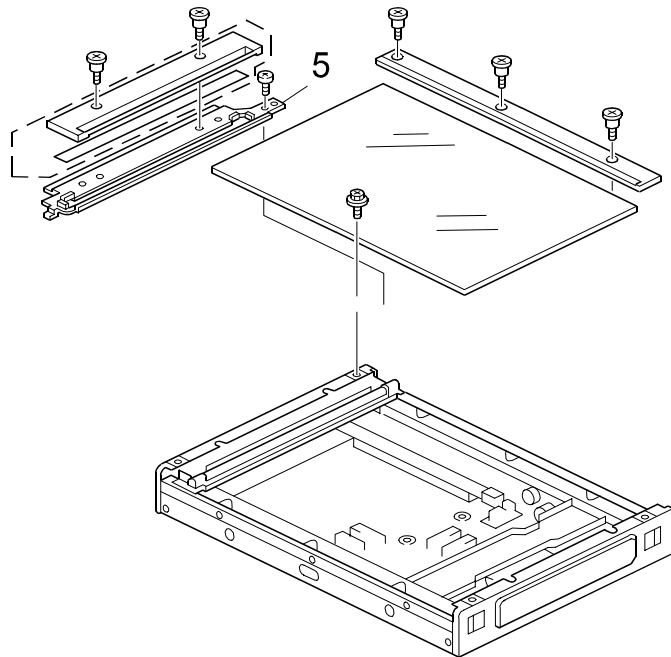
## CUT-IN SERIAL NUMBERS

Model Name	V/Hz	Destination	Code	Serial Number
Standard SD370	120/60	USA, Canada	C238-11	Discontinued
Gestetner 5430	120/60	Taiwan	C238-13	F0920100001
Ges 5430, Rex 1330, Nsa CP430	230/50	Europe	C238-22	F0920300121
Gestetner 5430	230/50	Asia, etc.	C238-23	F0920100031
Ricoh JP3800	230/50	China	C238-26	F0920400051
Ricoh JP3000	230/50	Europe	C238-27	F0911201049
Gestetner 5428C	230/50	China	C238-28	F0911200301
Ricoh JP3000	230/50	Asia, etc.	C238-29	F0911200721
Ricoh JP3000, Ges 5430, Savin 3260DNP	120/60	USA, Canada	C238-52	F0911201056
Ricoh JP3000, Gestetner 5430	230/50	Latin America	C238-54	Discontinued
Standard SD370	120/60	USA, Canada	C238-61	F0920670001
Gestetner 5430	120/60	Taiwan	C238-63	-
Ges 5430, Rex 1330, Nsa CP430	230/50	Europe	C238-72	-
Gestetner 5430	230/50	Asia, etc.	C238-73	-
Ricoh JP3800	230/50	China	C238-76	-
Ricoh JP3000	230/50	Europe	C238-77	-
Gestetner 5428C	230/50	China	C238-78	-
Ricoh JP3000	230/50	Asia, etc.	C238-79	-
Ricoh JP3000, Ges 5430, Savin 3260DNP	120/60	USA, Canada	C238-92	-
Ricoh JP3000, Gestetner 5430	230/50	Latin America	C238-94	F0920670001
Ricoh JP2800	230/50	China	C247-76	F2420970001
Gestetner 5425C	230/50	China	C247-78	F2420970001

<b>Model:</b> PRIPORT PINKGOLD		<b>Date:</b> 20-Nov-02	<b>No:</b> M-C238-004
<b>Modified Article:</b> Scale bracket		<b>Prepared by:</b>	
<b>From:</b> Priport Service Planning Section		H. Onodera	
<b>Classification:</b> <input type="checkbox"/> Parts catalog correction <input type="checkbox"/> Vendor change <input type="checkbox"/> To meet standards <input type="checkbox"/> To facilitate assembly <input checked="" type="checkbox"/> To improve reliability         ( ) <input type="checkbox"/> Part standardization <input type="checkbox"/> Other ( )			
<b>Model Name:</b> PINKGOLD: Ricoh JP3000/JP3800, Gestetner 5430/5428C, RexRotary 1330, nashuatec CP430, Savin 3260DNP, Standard SD370, Lanier LDD030 PG B4 (China only): Ricoh JP2800, Gestetner 5425C			

The Bracket below has been changed to ensure that dust is kept out of the scanner.

Old part number	New part number	Description	Q'ty	Int	Page	Index
A2671743	B0271742	Bracket - scale	1	X/O	11	5



C238A065.WMF

**Model:** PRIPORT PINKGOLD

**Date:** 20-Nov-02

**No:** M-C238-004

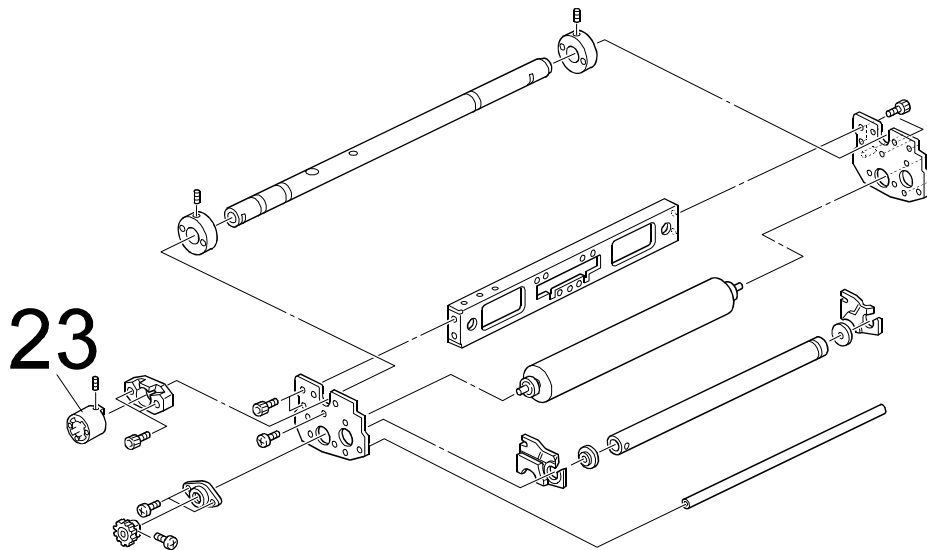
## CUT-IN SERIAL NUMBERS

Model Name	V/Hz	Destination	Code	Serial Number
Standard SD370	120/60	USA, Canada	C238-11	Discontinued
Gestetner 5430	120/60	Taiwan	C238-13	Discontinued
Ges 5430, Rex 1330, Nsa CP430	230/50	Europe	C238-22	Discontinued
Gestetner 5430	230/50	Asia, etc.	C238-23	Discontinued
Ricoh JP3800	230/50	China	C238-26	Discontinued
Ricoh JP3000	230/50	Europe	C238-27	Discontinued
Gestetner 5428C	230/50	China	C238-28	Discontinued
Ricoh JP3000	230/50	Asia, etc.	C238-29	Discontinued
Ricoh JP3000, Ges 5430, Savin 3260DNP	120/60	USA, Canada	C238-52	Discontinued
Ricoh JP3000, Gestetner 5430	230/50	Latin America	C238-54	Discontinued
Standard SD370	120/60	USA, Canada	C238-61	F0920670001
Gestetner 5430	120/60	Taiwan	C238-63	F0920670001
Ges 5430, Rex 1330, Nsa CP430	230/50	Europe	C238-72	F0920670001
Gestetner 5430	230/50	Asia, etc.	C238-73	F0920670001
Ricoh JP3800	230/50	China	C238-76	F0920670001
Ricoh JP3000	230/50	Europe	C238-77	F0920670001
Gestetner 5428C	230/50	China	C238-78	F0920670001
Ricoh JP3000	230/50	Asia, etc.	C238-79	F0920670001
Ricoh JP3000, Ges 5430, Savin 3260DNP	120/60	USA, Canada	C238-92	F0920670001
Ricoh JP3000, Gestetner 5430	230/50	Latin America	C238-94	F0920670001
Ricoh JP2800	230/50	China	C247-76	F2420970001
Gestetner 5425C	230/50	China	C247-78	F2420970001

<b>Model:</b> PRIPORT PINKGOLD		<b>Date:</b> 20-Nov-02	<b>No:</b> M-C238-005
<b>Modified Article:</b> Parts catalog correction (drum shaft collar)		<b>Prepared by:</b>	
<b>From:</b> Priport Service Planning Section		H. Onodera	
<b>Classification:</b> <input checked="" type="checkbox"/> Parts catalog correction <input type="checkbox"/> Vendor change <input type="checkbox"/> To meet standards <input type="checkbox"/> To facilitate assembly <input type="checkbox"/> To improve reliability ( ) <input type="checkbox"/> Part standardization <input type="checkbox"/> Other ( )			
<b>Model Name:</b> PINKGOLD: Ricoh JP3000/JP3800, Gestetner 5430/5428C, RexRotary 1330, nashuatec CP430, Savin 3260DNP, Standard SD370, Lanier LDD030 PG B4 (China only): Ricoh JP2800, Gestetner 5425C			

Please correct your parts catalogs as follows.

Incorrect part number	Correct part number	Description	Q'ty	Int	Page	Index
C2382397	C2312397	Front drum shaft collar	1	-	35	23



C238A118.WMF



**Model:** PRIPORT PINKGOLD

**Date:** 20-Nov-02

**No:** M-C238-005

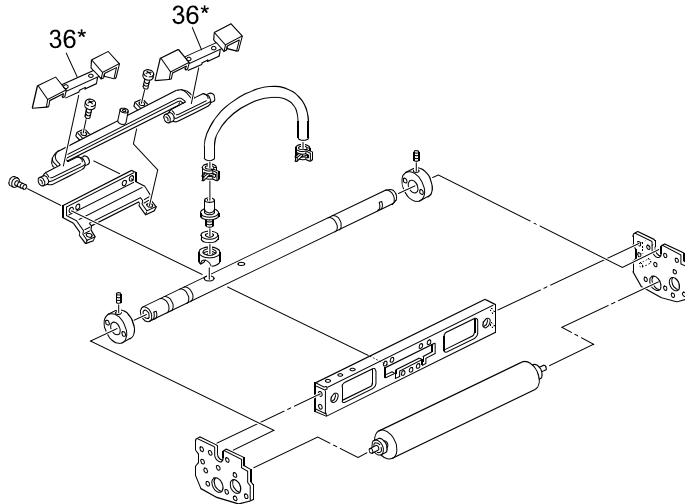
## CUT-IN SERIAL NUMBERS

Model Name	V/Hz	Destination	Code	Serial Number
Standard SD370	120/60	USA, Canada	C238-11	-
Gestetner 5430	120/60	Taiwan	C238-13	-
Ges 5430, Rex 1330, Nsa CP430	230/50	Europe	C238-22	-
Gestetner 5430	230/50	Asia, etc.	C238-23	-
Ricoh JP3800	230/50	China	C238-26	-
Ricoh JP3000	230/50	Europe	C238-27	-
Gestetner 5428C	230/50	China	C238-28	-
Ricoh JP3000	230/50	Asia, etc.	C238-29	-
Ricoh JP3000, Ges 5430, Savin 3260DNP	120/60	USA, Canada	C238-52	-
Ricoh JP3000, Gestetner 5430	230/50	Latin America	C238-54	-
Standard SD370	120/60	USA, Canada	C238-61	-
Gestetner 5430	120/60	Taiwan	C238-63	-
Ges 5430, Rex 1330, Nsa CP430	230/50	Europe	C238-72	-
Gestetner 5430	230/50	Asia, etc.	C238-73	-
Ricoh JP3800	230/50	China	C238-76	-
Ricoh JP3000	230/50	Europe	C238-77	-
Gestetner 5428C	230/50	China	C238-78	-
Ricoh JP3000	230/50	Asia, etc.	C238-79	-
Ricoh JP3000, Ges 5430, Savin 3260DNP, Lanier LDD030	120/60	USA, Canada	C238-92	-
Ricoh JP3000, Gestetner 5430	230/50	Latin America	C238-94	-
Ricoh JP2800	230/50	China	C247-76	-
Gestetner 5425C	230/50	China	C247-78	-

<b>Model:</b> PRIPORT PINKGOLD		<b>Date:</b> 20-Nov-02	<b>No:</b> M-C238-006
<b>Modified Article:</b> Ink pipe cover		<b>Prepared by:</b>	
<b>From:</b> Priport Service Planning Section		H. Onodera	
<b>Classification:</b> <input type="checkbox"/> Parts catalog correction <input type="checkbox"/> Vendor change <input type="checkbox"/> To meet standards <input type="checkbox"/> To facilitate assembly <input checked="" type="checkbox"/> To improve reliability         ( ) <input type="checkbox"/> Part standardization <input type="checkbox"/> Other ( )			
<b>Model Name:</b> PINKGOLD: Ricoh JP3000/JP3800, Gestetner 5430/5428C, RexRotary 1330, nashuatec CP430, Savin 3260DNP, Standard SD370, Lanier LDD030 PG B4 (China only): Ricoh JP2800, Gestetner 5425C			

Two ink Pipe Covers (index 36\*) have been added to ensure that ink from the ink distributor does not stick to the ink sensor.

Old part number	New part number	Description	Q'ty	Int	Page	Index
-	C2472468	Pipe cover	2	-	35	*36



**Model:** PRIPORT PINKGOLD**Date:** 20-Nov-02**No:** M-C238-006**CUT-IN SERIAL NUMBERS**

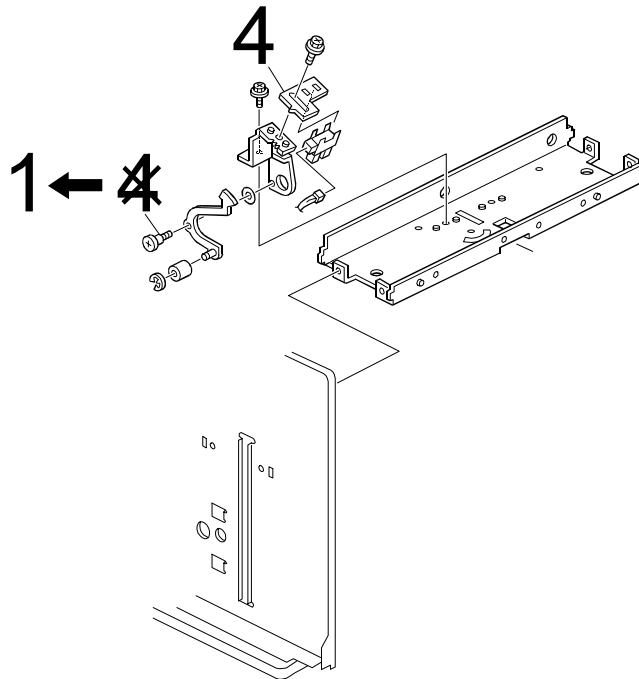
<b>Model Name</b>	<b>V/Hz</b>	<b>Destination</b>	<b>Code</b>	<b>Serial Number</b>
Standard SD370	120/60	USA, Canada	C238-11	Discontinued
Gestetner 5430	120/60	Taiwan	C238-13	Discontinued
Ges 5430, Rex 1330, Nsa CP430	230/50	Europe	C238-22	Discontinued
Gestetner 5430	230/50	Asia, etc.	C238-23	Discontinued
Ricoh JP3800	230/50	China	C238-26	Discontinued
Ricoh JP3000	230/50	Europe	C238-27	Discontinued
Gestetner 5428C	230/50	China	C238-28	Discontinued
Ricoh JP3000	230/50	Asia, etc.	C238-29	Discontinued
Ricoh JP3000, Ges 5430, Savin 3260DNP	120/60	USA, Canada	C238-52	Discontinued
Ricoh JP3000, Gestetner 5430	230/50	Latin America	C238-54	Discontinued
Standard SD370	120/60	USA, Canada	C238-61	F0920670001
Gestetner 5430	120/60	Taiwan	C238-63	F0920670001
Ges 5430, Rex 1330, Nsa CP430	230/50	Europe	C238-72	F0920670001
Gestetner 5430	230/50	Asia, etc.	C238-73	F0920670001
Ricoh JP3800	230/50	China	C238-76	F0920670001
Ricoh JP3000	230/50	Europe	C238-77	F0920670001
Gestetner 5428C	230/50	China	C238-78	F0920670001
Ricoh JP3000	230/50	Asia, etc.	C238-79	F0920670001
Ricoh JP3000, Ges 5430, Savin 3260DNP, Lanier LDD030	120/60	USA, Canada	C238-92	F0920670001
Ricoh JP3000, Gestetner 5430	230/50	Latin America	C238-94	F0920670001
Ricoh JP2800	230/50	China	C247-76	F2420970001
Gestetner 5425C	230/50	China	C247-78	F2420970001

<b>Model:</b> PRIPORT PINKGOLD		<b>Date:</b> 20-Nov-02	<b>No:</b> M-C238-007
<b>Modified Article:</b> Parts catalog correction (Screw)		<b>Prepared by:</b>	
<b>From:</b> Priport Service Planning Section		H. Onodera	
<b>Classification:</b>	<input checked="" type="checkbox"/> Parts catalog correction	<input type="checkbox"/> Vendor change	<input type="checkbox"/> To meet standards
	<input type="checkbox"/> To facilitate assembly	<input type="checkbox"/> To improve reliability	( )
	<input type="checkbox"/> Part standardization	<input type="checkbox"/> Other ( )	
<b>Model Name:</b>			
PINKGOLD: Ricoh JP3000/JP3800, Gestetner 5430/5428C, RexRotary 1330, nashuatec CP430, Savin 3260DNP, Standard SD370, Lanier LDD030			
PG B4 (China only): Ricoh JP2800, Gestetner 5425C			

Please correct your parts catalogs as follows.

Incorrect index number	Correct index number	Page	New part number	Description
4	1	21	AA143402	Screw – scale

**NOTE:** As shown below, the index number (4) for the Sensor Bracket has not been changed.



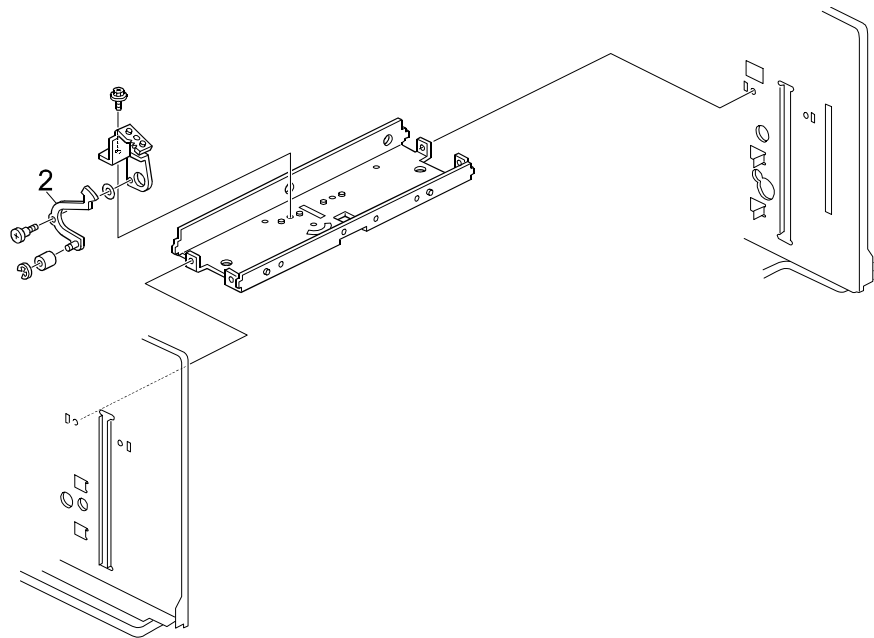
**Model:** PRIPORT PINKGOLD**Date:** 20-Nov-02**No:** M-C238-007**CUT-IN SERIAL NUMBERS**

<b>Model Name</b>	<b>V/Hz</b>	<b>Destination</b>	<b>Code</b>	<b>Serial Number</b>
Standard SD370	120/60	USA, Canada	C238-11	-
Gestetner 5430	120/60	Taiwan	C238-13	-
Ges 5430, Rex 1330, Nsa CP430	230/50	Europe	C238-22	-
Gestetner 5430	230/50	Asia, etc.	C238-23	-
Ricoh JP3800	230/50	China	C238-26	-
Ricoh JP3000	230/50	Europe	C238-27	-
Gestetner 5428C	230/50	China	C238-28	-
Ricoh JP3000	230/50	Asia, etc.	C238-29	-
Ricoh JP3000, Ges 5430, Savin 3260DNP	120/60	USA, Canada	C238-52	-
Ricoh JP3000, Gestetner 5430	230/50	Latin America	C238-54	-
Standard SD370	120/60	USA, Canada	C238-61	-
Gestetner 5430	120/60	Taiwan	C238-63	-
Ges 5430, Rex 1330, Nsa CP430	230/50	Europe	C238-72	-
Gestetner 5430	230/50	Asia, etc.	C238-73	-
Ricoh JP3800	230/50	China	C238-76	-
Ricoh JP3000	230/50	Europe	C238-77	-
Gestetner 5428C	230/50	China	C238-78	-
Ricoh JP3000	230/50	Asia, etc.	C238-79	-
Ricoh JP3000, Ges 5430, Savin 3260DNP, Lanier LDD030	120/60	USA, Canada	C238-92	-
Ricoh JP3000, Gestetner 5430	230/50	Latin America	C238-94	-
Ricoh JP2800	230/50	China	C247-76	-
Gestetner 5425C	230/50	China	C247-78	-

<b>Model:</b> PRIPORT PINKGOLD		<b>Date:</b> 22-Nov-02	<b>No:</b> M-C238-008
<b>Modified Article:</b> Paper actuator		<b>Prepared by:</b>	
<b>From:</b> Priport Service Planning Section		H. Onodera	
<b>Classification:</b>	<input type="checkbox"/> Parts catalog correction	<input type="checkbox"/> Vendor change	<input type="checkbox"/> To meet standards
	<input type="checkbox"/> To facilitate assembly	<input checked="" type="checkbox"/> To improve reliability	( )
	<input type="checkbox"/> Part standardization	<input type="checkbox"/> Other ( )	
<b>Model Name:</b>			
PINKGOLD: Ricoh JP3000/JP3800, Gestetner 5430/5428C, RexRotary 1330, nashuatec CP430, Savin 3260DNP, Standard SD370, Lanier LDD030			
PG B4 (China only): Ricoh JP2800, Gestetner 5425C			

The shape of the Paper Actuator has been changed to allow it to move more smoothly.

Old part number	New part number	Description	Q'ty	Int	Page	Index
C2382861	C2382868	Paper actuator	1	X/O	21	2



C238A112.WMF

**Model:** PRIPORT PINKGOLD

**Date:** 22-Nov-02

**No:** M-C238-008

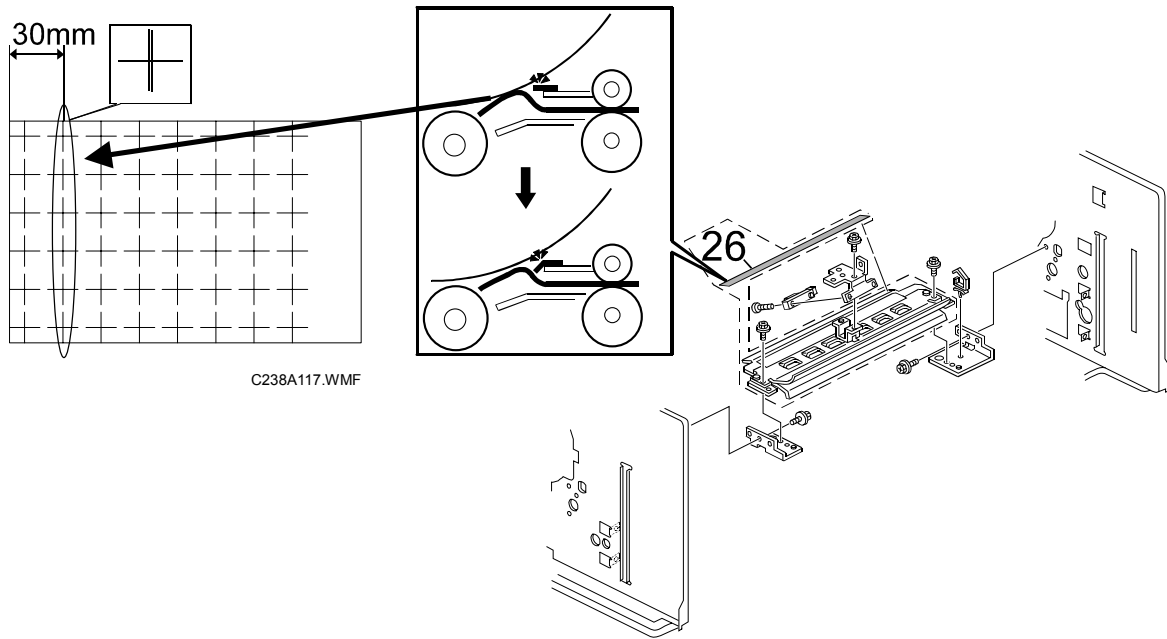
## CUT-IN SERIAL NUMBERS

Model Name	V/Hz	Destination	Code	Serial Number
Standard SD370	120/60	USA, Canada	C238-11	Discontinued
Gestetner 5430	120/60	Taiwan	C238-13	Discontinued
Ges 5430, Rex 1330, Nsa CP430	230/50	Europe	C238-22	Discontinued
Gestetner 5430	230/50	Asia, etc.	C238-23	Discontinued
Ricoh JP3800	230/50	China	C238-26	Discontinued
Ricoh JP3000	230/50	Europe	C238-27	Discontinued
Gestetner 5428C	230/50	China	C238-28	Discontinued
Ricoh JP3000	230/50	Asia, etc.	C238-29	Discontinued
Ricoh JP3000, Ges 5430, Savin 3260DNP	120/60	USA, Canada	C238-52	Discontinued
Ricoh JP3000, Gestetner 5430	230/50	Latin America	C238-54	Discontinued
Standard SD370	120/60	USA, Canada	C238-61	F0920770211
Gestetner 5430	120/60	Taiwan	C238-63	F0920770001
Ges 5430, Rex 1330, Nsa CP430	230/50	Europe	C238-72	F0920770001
Gestetner 5430	230/50	Asia, etc.	C238-73	F0920770001
Ricoh JP3800	230/50	China	C238-76	F0920670001
Ricoh JP3000	230/50	Europe	C238-77	F0920770001
Gestetner 5428C	230/50	China	C238-78	F0920670051
Ricoh JP3000	230/50	Asia, etc.	C238-79	F0920770001
Ricoh JP3000, Ges 5430, Savin 3260DNP, Lanier LDD030	120/60	USA, Canada	C238-92	F0920770141
Ricoh JP3000, Gestetner 5430	230/50	Latin America	C238-94	F0920770001
Ricoh JP2800	230/50	China	C247-76	F2420970001
Gestetner 5425C	230/50	China	C247-78	F2420970001

<b>Model:</b> PRIPORT PINKGOLD		<b>Date:</b> 22-Nov-02	<b>No:</b> M-C238-009
<b>Modified Article:</b> Guide plate sheet		<b>Prepared by:</b>	
<b>From:</b> Priport Service Planning Section		H. Onodera	
<b>Classification:</b>	<input type="checkbox"/> Parts catalog correction	<input type="checkbox"/> Vendor change	<input type="checkbox"/> To meet standards
	<input type="checkbox"/> To facilitate assembly	<input checked="" type="checkbox"/> To improve reliability	( )
	<input type="checkbox"/> Part standardization	<input type="checkbox"/> Other ( )	
<b>Model Name:</b>			
PINKGOLD: Ricoh JP3000/JP3800, Gestetner 5430/5428C, RexRotary 1330, nashuatec CP430, Savin 3260DNP, Standard SD370, Lanier LDD030			
PG B4 (China only): Ricoh JP2800, Gestetner 5425C			

To ensure the paper does not prematurely contact the drum and cause doubled images, the Guide Plate Sheet has been angled downward as shown below.

Old part number	New part number	Description	Q'ty	Int	Page	Index
C2382914	C2382915	Guide plate sheet	1	X/O	19	26





**Model:** PRIPORT PINKGOLD

**Date:** 22-Nov-02

**No:** M-C238-009

## CUT-IN SERIAL NUMBERS

Model Name	V/Hz	Destination	Code	Serial Number
Standard SD370	120/60	USA, Canada	C238-11	Discontinued
Gestetner 5430	120/60	Taiwan	C238-13	Discontinued
Ges 5430, Rex 1330, Nsa CP430	230/50	Europe	C238-22	Discontinued
Gestetner 5430	230/50	Asia, etc.	C238-23	Discontinued
Ricoh JP3800	230/50	China	C238-26	Discontinued
Ricoh JP3000	230/50	Europe	C238-27	Discontinued
Gestetner 5428C	230/50	China	C238-28	Discontinued
Ricoh JP3000	230/50	Asia, etc.	C238-29	Discontinued
Ricoh JP3000, Ges 5430, Savin 3260DNP	120/60	USA, Canada	C238-52	Discontinued
Ricoh JP3000, Gestetner 5430	230/50	Latin America	C238-54	Discontinued
Standard SD370	120/60	USA, Canada	C238-61	F0921070001
Gestetner 5430	120/60	Taiwan	C238-63	F0921070001
Ges 5430, Rex 1330, Nsa CP430	230/50	Europe	C238-72	F0921070001
Gestetner 5430	230/50	Asia, etc.	C238-73	F0921070001
Ricoh JP3800	230/50	China	C238-76	F0921070001
Ricoh JP3000	230/50	Europe	C238-77	F0921070001
Gestetner 5428C	230/50	China	C238-78	F0921070001
Ricoh JP3000	230/50	Asia, etc.	C238-79	F0921070001
Ricoh JP3000, Ges 5430, Savin 3260DNP, Lanier LDD030	120/60	USA, Canada	C238-92	F0921070001
Ricoh JP3000, Gestetner 5430	230/50	Latin America	C238-94	F0921070001
Ricoh JP2800	230/50	China	C247-76	F2420970001
Gestetner 5425C	230/50	China	C247-78	F2420970001

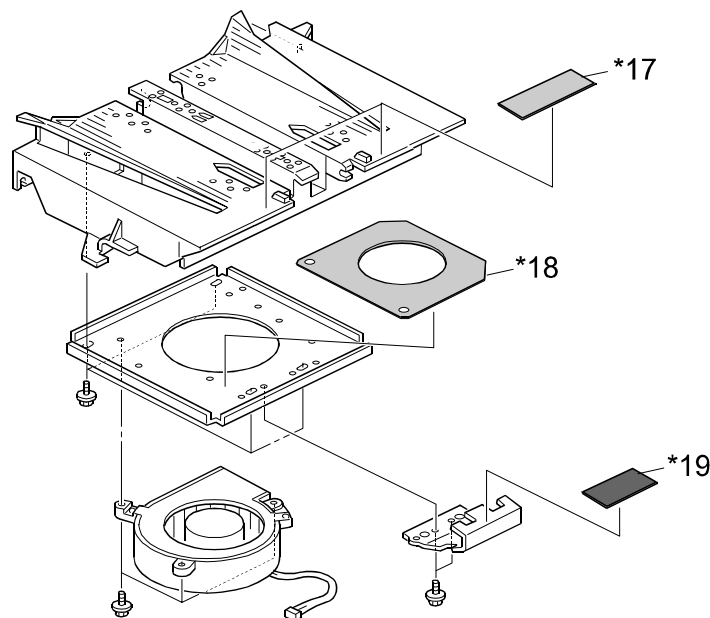
<b>Model:</b> PRIPORT PINKGOLD		<b>Date:</b> 22-Nov-02	<b>No:</b> M-C238-010
<b>Modified Article:</b> Paper delivery unit		<b>Prepared by:</b>	
<b>From:</b> Priport Service Planning Section		H. Onodera	
<b>Classification:</b>	<input type="checkbox"/> Parts catalog correction	<input type="checkbox"/> Vendor change	<input type="checkbox"/> To meet standards
	<input type="checkbox"/> To facilitate assembly	<input checked="" type="checkbox"/> To improve reliability	( )
	<input type="checkbox"/> Part standardization	<input type="checkbox"/> Other ( )	
<b>Model Name:</b>			
PINKGOLD: Ricoh JP3000/JP3800, Gestetner 5430/5428C, RexRotary 1330, nashuatec CP430, Savin 3260DNP, Standard SD370, Lanier LDD030			
PG B4 (China only): Ricoh JP2800, Gestetner 5425C			

The following is related to China models only (C238-26, -28, C247-76, -78).

The following parts have been added to China models to ensure that thin paper is properly fed through the delivery unit without jamming. See the following pages for more details on this modification as well as the installation procedure.

NO.	Old part number	New part number	Description	Q'ty	Int	Page	Index
1	-	C2383893	Paper guide sheet - long	2	As a set	37	*17
2	-	C2383892	Paper guide sheet - short	1		37	*19
3	-	C2383858	Air reduction sheet	1	-	37	*18

\*: New index



<b>Model:</b> PRIPORT PINKGOLD	<b>Date:</b> 22-Nov-02	<b>No:</b> M-C238-010
--------------------------------	------------------------	-----------------------

## DETAILS OF THE ABOVE MODIFICATION:

In China, some customers use very thin, poor-quality paper, which is sometimes below the minimum weight specification for the Pinkgold (47.1 g/m<sup>2</sup>). This paper can easily curl and become damp, and when fed in this condition, the following two symptoms tend to occur:

### Symptom 1:

The paper's leading edge is caught in the narrow gap between the press roller and the paper delivery unit.

### Solution 1:

The 3 paper guide sheets improve feeding, especially for thin paper.

### Symptom 2:

Even if the thin paper is properly transported to the delivery unit, in some rare cases it can remain inside the delivery unit due to the strong suction of the vacuum fan.

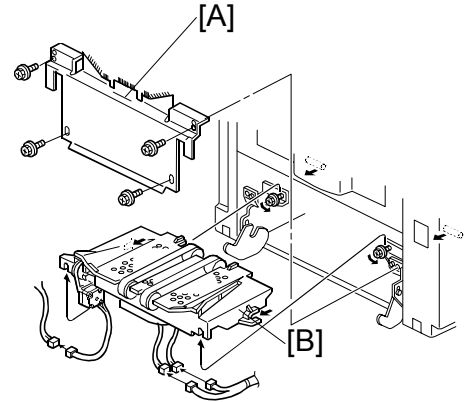
### Solution 2:

The air reduction sheet decreases the airflow around the paper.

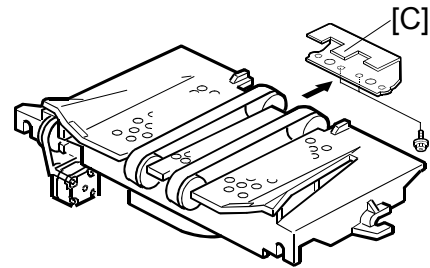
## INSTALLATION PROCEDURE:

### Three paper guide sheets:

1. Turn off the main switch and disconnect the power cord.
2. Remove the paper delivery cover [A] (4 screws).
3. Remove the paper delivery unit [B] (3 connectors, 2 screws).
4. Remove the paper guide [C] (2 screws).

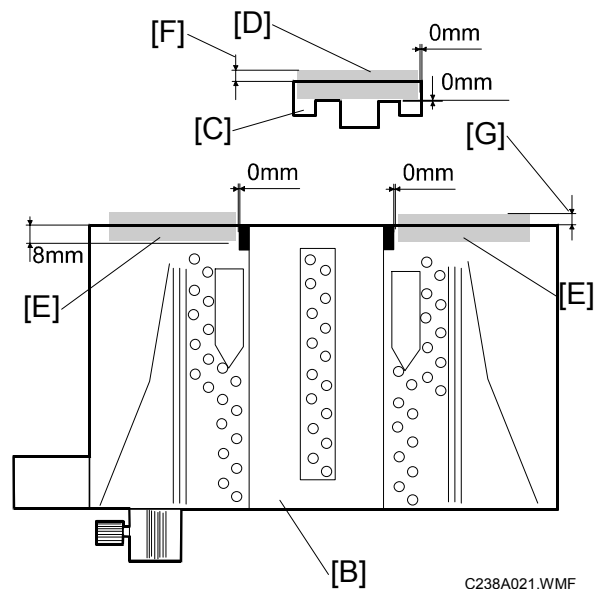


C238R027.WMF



C238A022.WMF

5. Attach the paper guide sheet [D] (#C2383892) to the paper guide [C] so that it projects out from the guide  $0.8 \pm 0.4$  mm [F].
6. Attach the 2 paper guide sheets [E] (#C2383893) to the paper delivery unit [B] so that they project out from the unit  $2.0 \pm 0.5$  mm [G].

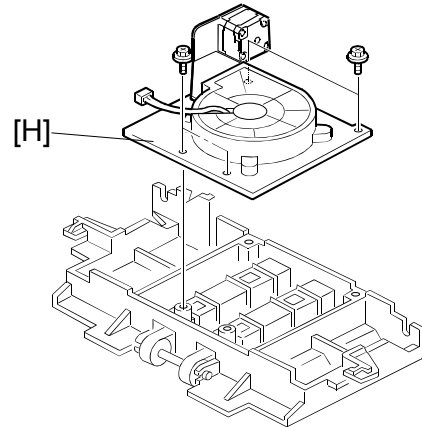


C238A021.WMF

**CAUTION:** Make sure distances [F] and [G] do not exceed the maximums specified above, as this will cause an increase in jams.

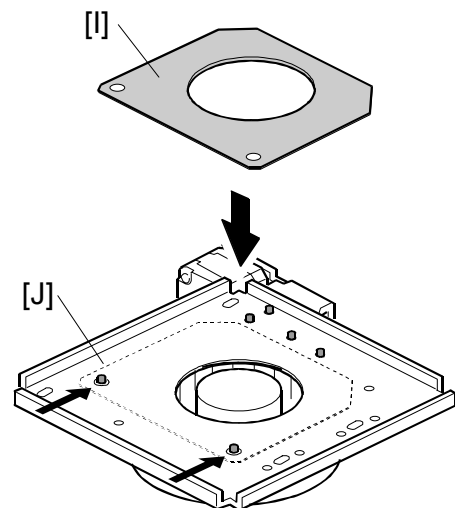
***Air Reduction Sheet:***

7. Remove the vacuum fan motor [H] (4 screws, 1 connector).



C238A023.WMF

8. Attach the air reduction sheet [I] (#C2383858) to the fan motor plate [J] as shown.



C238A019.WMF

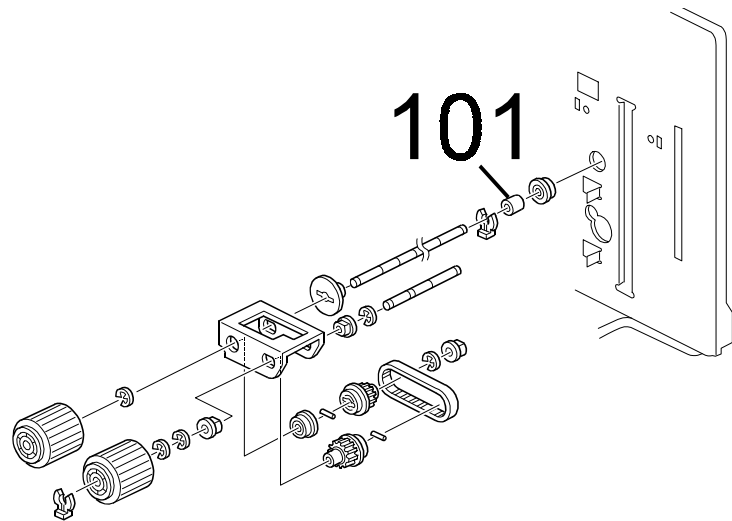
**Model:** PRIPORT PINKGOLD**Date:** 22-Nov-02**No:** M-C238-010**CUT IN SERIAL NUMBERS**

<b>Model Name</b>	<b>V/Hz</b>	<b>Destination</b>	<b>Code</b>	<b>Serial Number</b>
Standard SD370	120/60	USA	C238-11	-
Gestetner 5430	120/60	Taiwan	C238-13	-
Ges 5430, Rex 1330, Nsa CP430	230/50	Europe	C238-22	-
Gestetner 5430	230/50	Asia, etc.	C238-23	-
Ricoh JP3800	230/50	China	C238-26	F0920100001
Ricoh JP3000	230/50	Europe	C238-27	-
Gestetner 5428C	230/50	China	C238-28	F0911200301
Ricoh JP3000	230/50	Asia, etc.	C238-29	-
Ricoh JP3000, Ges 5430, Savin 3260DNP	120/60	USA, Canada	C238-52	-
Gestetner 5430, Nsa CP430	230/50	Latin America	C238-54	-
Ricoh JP2800	230/50	China	C247-76	F2420970001
Gestetner 5425C	230/50	China	C247-78	F2420970001

<b>Model:</b> PRIPORT PINKGOLD/PGB4		<b>Date:</b> 26-Feb-03	<b>No:</b> M-C238-011
<b>Modified Article:</b> Sleeve		<b>Prepared by:</b>	
<b>From:</b> Priport Service Planning Section		H. Onodera	
<b>Classification:</b>	<input checked="" type="checkbox"/> Parts catalog correction	<input type="checkbox"/> Vendor change	<input type="checkbox"/> To meet standards
	<input type="checkbox"/> To facilitate assembly	<input checked="" type="checkbox"/> To improve reliability	( )
	<input type="checkbox"/> Part standardization	<input type="checkbox"/> Other ( )	
<b>Model Name:</b>			
PINKGOLD: Ricoh JP3000/JP3800, Gestetner 5430/5428C, RexRotary 1330, nashuatec CP430, Savin 3260DNP, Standard SD370, Lanier LDD030			
PG B4 (China only): Ricoh JP2800, Gestetner 5425C			

To minimize the thrust play in the shaft of the feed roller, the length of sleeve #101 has been changed from 10 mm to 10.5 mm.

Old part number	New part number	Description	Q'ty	Int	Page	Index
07078100B	07078105B	Sleeve - M8 x 10.5	1	X/O	21	101



C249A019.WMF

**Model:** PRIPORT PINKGOLD/PGB4

**Date:** 26-Feb-03

**No:** M-C238-011

## CUT-IN SERIAL NUMBERS

Model Name	V/Hz	Destination	Code	Serial Number
Standard SD370	120/60	USA, Canada	C238-11	Discontinued
Gestetner 5430	120/60	Taiwan	C238-13	
Ges 5430, Rex 1330, Nsa CP430	230/50	Europe	C238-22	
Gestetner 5430	230/50	Asia, etc.	C238-23	
Ricoh JP3800	230/50	China	C238-26	
Ricoh JP3000	230/50	Europe	C238-27	
Gestetner 5428C	230/50	China	C238-28	
Ricoh JP3000	230/50	Asia, etc.	C238-29	
Ricoh JP3000, Ges 5430, Savin 3260DNP	120/60	USA, Canada	C238-52	
Ricoh JP3000, Gestetner 5430	230/50	Latin America	C238-54	
Standard SD370	120/60	USA, Canada	C238-61	F0920970001
Gestetner 5430	120/60	Taiwan	C238-63	
Ges 5430, Rex 1330, Nsa CP430	230/50	Europe	C238-72	
Gestetner 5430	230/50	Asia, etc.	C238-73	
Ricoh JP3800	230/50	China	C238-76	
Ricoh JP3000	230/50	Europe	C238-77	
Gestetner 5428C	230/50	China	C238-78	
Ricoh JP3000	230/50	Asia, etc.	C238-79	
Ricoh JP3000, Ges 5430, Savin 3260DNP, Lanier LDD030	120/60	USA, Canada	C238-92	
Ricoh JP3000, Gestetner 5430	230/50	Latin America	C238-94	
Ricoh JP2800	230/50	China	C247-76	F2420970001
Gestetner 5425C	230/50	China	C247-78	

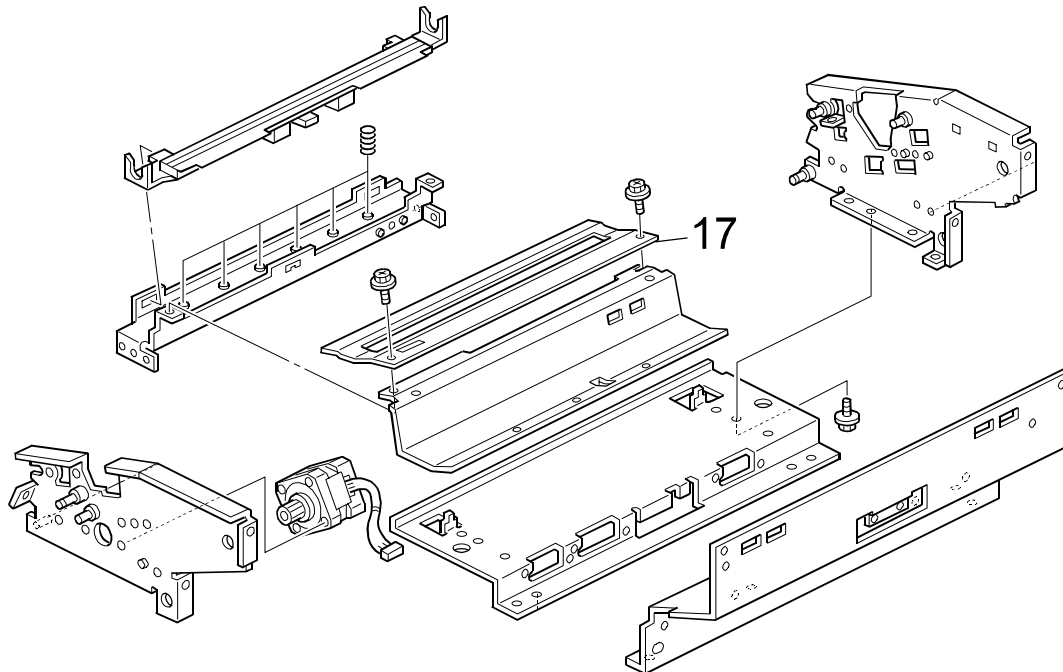


<b>Model:</b> PRIPORT PINKGOLD/PGB4		<b>Date:</b> 5-Mar-03	<b>No:</b> M-C238-012
<b>Modified Article:</b> Thermal head guide		<b>Prepared by:</b>	
<b>From:</b> Priport Service Planning Section		H. Onodera	
<b>Classification:</b>	<input type="checkbox"/> Parts catalog correction	<input type="checkbox"/> Vendor change	<input type="checkbox"/> To meet standards
	<input type="checkbox"/> To facilitate assembly	<input checked="" type="checkbox"/> To improve reliability	( )
	<input type="checkbox"/> Part standardization	<input type="checkbox"/> Other ( )	
<b>Model Name:</b>			
PINKGOLD:	Ricoh JP3000/JP3800, Gestetner 5430/5428C, RexRotary 1330, nashuatec CP430, Savin 3260DNP, Standard SD370, Lanier LDD030		
PGB4 (China only):	Ricoh JP2800, Gestetner 5425C		

The strength of the Thermal Head Guide has been increased to improve reliability.

Old part number	New part number	Description	Q'ty	Int	Page	Index
C2382093	C2382193	Thermal head guide	1	X/O	25	17

**NOTE:** This guide is available for all PINKGOLD models except the PGB4.



**Model:** PRIPORT PINKGOLD/PGB4

**Date:** 5-Mar-03

**No:** M-C238-012

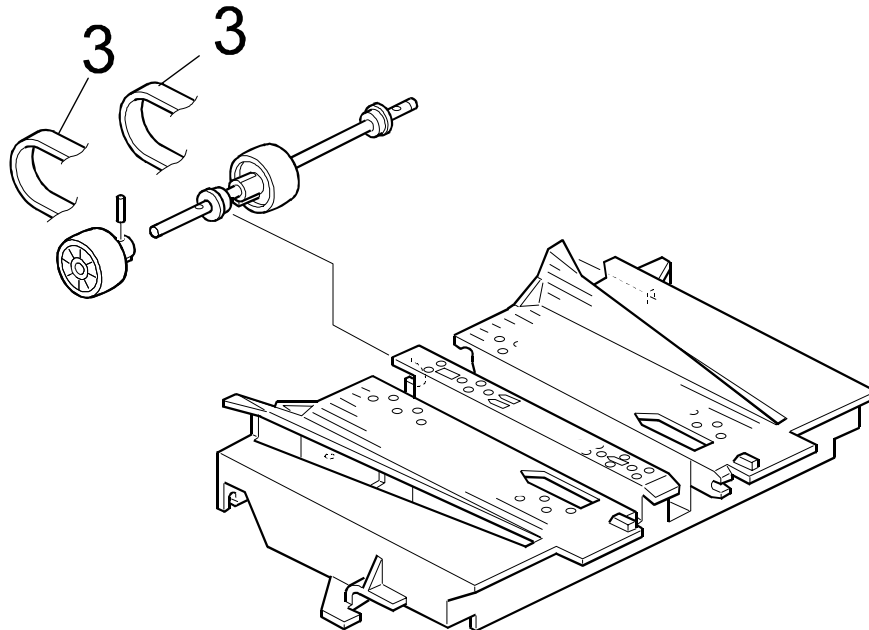
## CUT-IN SERIAL NUMBERS

Model Name	V/Hz	Destination	Code	Serial Number
Standard SD370	120/60	USA, Canada	C238-11	Discontinued
Gestetner 5430	120/60	Taiwan	C238-13	
Ges 5430, Rex 1330, Nsa CP430	230/50	Europe	C238-22	
Gestetner 5430	230/50	Asia, etc.	C238-23	
Ricoh JP3800	230/50	China	C238-26	
Ricoh JP3000	230/50	Europe	C238-27	
Gestetner 5428C	230/50	China	C238-28	
Ricoh JP3000	230/50	Asia, etc.	C238-29	
Ricoh JP3000, Ges 5430, Savin 3260DNP	120/60	USA, Canada	C238-52	
Ricoh JP3000, Gestetner 5430	230/50	Latin America	C238-54	
Standard SD370	120/60	USA, Canada	C238-61	F0920970047
Gestetner 5430	120/60	Taiwan	C238-63	
Ges 5430, Rex 1330, Nsa CP430	230/50	Europe	C238-72	
Gestetner 5430	230/50	Asia, etc.	C238-73	
Ricoh JP3800	230/50	China	C238-76	
Ricoh JP3000	230/50	Europe	C238-77	
Gestetner 5428C	230/50	China	C238-78	
Ricoh JP3000	230/50	Asia, etc.	C238-79	
Ricoh JP3000, Ges 5430, Savin 3260DNP, Lanier LDD030	120/60	USA, Canada	C238-92	
Ricoh JP3000, Gestetner 5430	230/50	Latin America	C238-94	
Ricoh JP2800	230/50	China	C247-76	-
Gestetner 5425C	230/50	China	C247-78	

<b>Model:</b> PRIPORT PINKGOLD/PGB4		<b>Date:</b> 25-Mar-03	<b>No:</b> M-C238-013
<b>Modified Article:</b> Transport belt		<b>Prepared by:</b>	
<b>From:</b> Priport Service Planning Section		H. Onodera	
<b>Classification:</b> <input type="checkbox"/> Parts catalog correction <input type="checkbox"/> Vendor change <input type="checkbox"/> To meet standards <input type="checkbox"/> To facilitate assembly <input checked="" type="checkbox"/> To improve reliability         ( ) <input type="checkbox"/> Part standardization <input type="checkbox"/> Other ( )			
<b>Model Name:</b> PINKGOLD: Ricoh JP3000/JP3800, Gestetner 5430/5428C, RexRotary 1330, nashuatec CP430, Savin 3260DNP, Standard SD370, Lanier LDD030 PGB4 (China only): Ricoh JP2800, Gestetner 5425C			

The Transport Belt has been modified so that it has a greater resistance to stretching.

Old part number	New part number	Description	Q'ty	Int	Page	Index
C2383874	C2493874	Transport belt	2	X/O	37	3



C249A030.WMF

**Model:** PRIPORT PINKGOLD/PGB4

**Date:** 25-Mar-03

**No:** M-C238-013

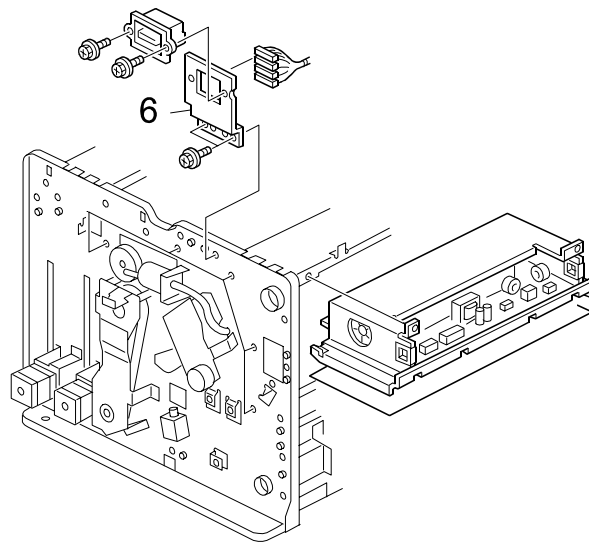
## CUT IN SERIAL NUMBERS

Model Name	V/Hz	Destination	Code	Serial Number
Standard SD370	120/60	USA, Canada	C238-11	Discontinued
Gestetner 5430	120/60	Taiwan	C238-13	
Ges 5430, Rex 1330, Nsa CP430	230/50	Europe	C238-22	
Gestetner 5430	230/50	Asia, etc.	C238-23	
Ricoh JP3800	230/50	China	C238-26	
Ricoh JP3000	230/50	Europe	C238-27	
Gestetner 5428C	230/50	China	C238-28	
Ricoh JP3000	230/50	Asia, etc.	C238-29	
Ricoh JP3000, Ges 5430, Savin 3260DNP	120/60	USA, Canada	C238-52	
Ricoh JP3000, Gestetner 5430	230/50	Latin America	C238-54	
Standard SD370	120/60	USA, Canada	C238-61	F0930470001
Gestetner 5430	120/60	Taiwan	C238-63	
Ges 5430, Rex 1330, Nsa CP430	230/50	Europe	C238-72	
Gestetner 5430	230/50	Asia, etc.	C238-73	
Ricoh JP3800	230/50	China	C238-76	
Ricoh JP3000	230/50	Europe	C238-77	
Gestetner 5428C	230/50	China	C238-78	
Ricoh JP3000	230/50	Asia, etc.	C238-79	
Ricoh JP3000, Ges 5430, Savin 3260DNP, Lanier LDD030	120/60	USA, Canada	C238-92	
Ricoh JP3000, Gestetner 5430	230/50	Latin America	C238-94	
Ricoh JP2800	230/50	China	C247-76	F2430470001
Gestetner 5425C	230/50	China	C247-78	

<b>Model:</b> PRIPORT PINKGOLD/PGB4	<b>Date:</b> 27-Mar-03	<b>No:</b> M-C238-014
<b>Modified Article:</b> DF connector bracket	<b>Prepared by:</b>	
<b>From:</b> Priport Service Planning Section	H. Onodera	
<b>Classification:</b>	<input type="checkbox"/> Parts catalog correction <input type="checkbox"/> Vendor change <input type="checkbox"/> To meet standards <input type="checkbox"/> To facilitate assembly <input type="checkbox"/> To improve reliability    (    ) <input checked="" type="checkbox"/> Part standardization <input type="checkbox"/> Other (    )	
<b>Model Name:</b>		
PINKGOLD: Ricoh JP3000/JP3800, Gestetner 5430/5428C, RexRotary 1330, nashuatec CP430, Savin 3260DNP, Standard SD370, Lanier LDD030 PGB4 (China only): Ricoh JP2800, Gestetner 5425C		

The following has been changed due to parts standardization with the Japan model.

Old part number	New part number	Description	Q'ty	Int	Page	Index
C2381397	C2381395	DF connector bracket	1	O/O	47	6



C238A072.WMF

**Model:** PRIPORT PINKGOLD/PGB4

**Date:** 27-Mar-03

**No:** M-C238-014

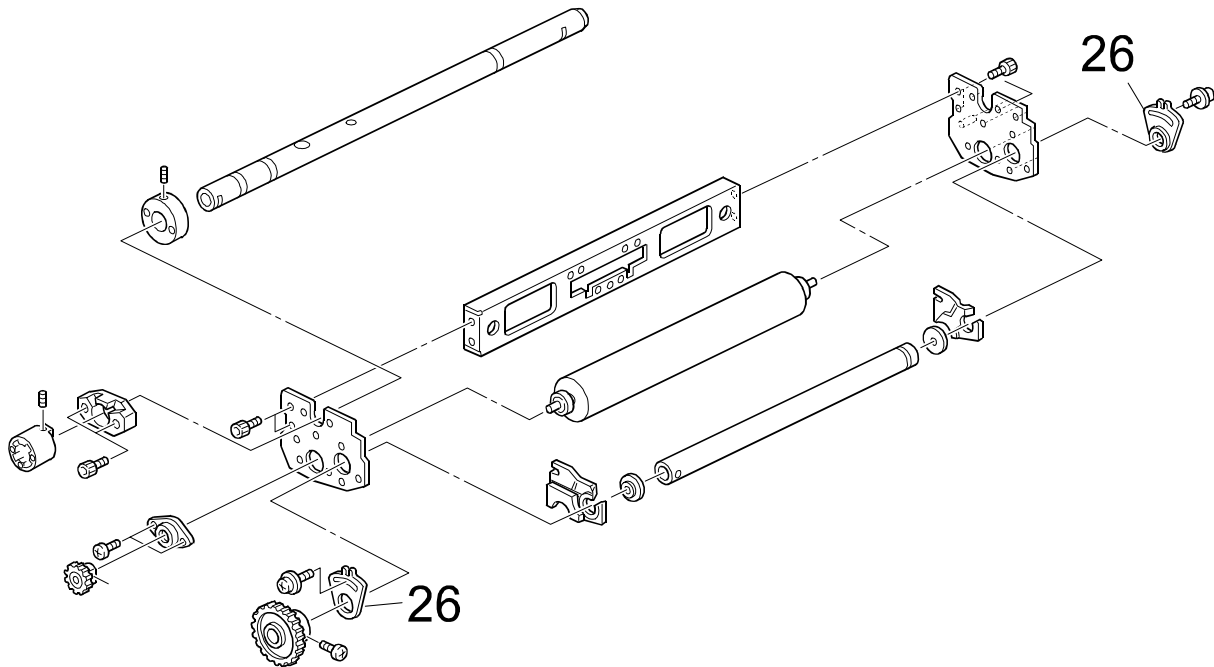
## CUT-IN SERIAL NUMBERS

Model Name	V/Hz	Destination	Code	Serial Number
Standard SD370	120/60	USA, Canada	C238-11	Discontinued
Gestetner 5430	120/60	Taiwan	C238-13	F0920100001
Ges 5430, Rex 1330, Nsa CP430	230/50	Europe	C238-22	F0920300121
Gestetner 5430	230/50	Asia, etc.	C238-23	F0920100031
Ricoh JP3800	230/50	China	C238-26	F0920400051
Ricoh JP3000	230/50	Europe	C238-27	F0911201049
Gestetner 5428C	230/50	China	C238-28	F0911200301
Ricoh JP3000	230/50	Asia, etc.	C238-29	F0911200721
Ricoh JP3000, Ges 5430, Savin 3260DNP	120/60	USA, Canada	C238-52	F0911201056
Ricoh JP3000, Gestetner 5430	230/50	Latin America	C238-54	Discontinued
Standard SD370	120/60	USA, Canada	C238-61	F0920670001
Gestetner 5430	120/60	Taiwan	C238-63	-
Ges 5430, Rex 1330, Nsa CP430	230/50	Europe	C238-72	-
Gestetner 5430	230/50	Asia, etc.	C238-73	-
Ricoh JP3800	230/50	China	C238-76	-
Ricoh JP3000	230/50	Europe	C238-77	-
Gestetner 5428C	230/50	China	C238-78	-
Ricoh JP3000	230/50	Asia, etc.	C238-79	-
Ricoh JP3000, Ges 5430, Savin 3260DNP	120/60	USA, Canada	C238-92	-
Ricoh JP3000, Gestetner 5430	230/50	Latin America	C238-94	F0920670001
Ricoh JP2800	230/50	China	C247-76	F2420970001
Gestetner 5425C	230/50	China	C247-78	F2420970001

<b>Model:</b> PRIPORT PINKGOLD/PGB4		<b>Date:</b> 27-Mar-03	<b>No:</b> M-C238-015
<b>Modified Article:</b> Adjusting plate		<b>Prepared by:</b>	
<b>From:</b> Priport Service Planning Section		H. Onodera	
<b>Classification:</b>	<input type="checkbox"/> Parts catalog correction	<input checked="" type="checkbox"/> Vendor change	<input type="checkbox"/> To meet standards
	<input type="checkbox"/> To facilitate assembly	<input type="checkbox"/> To improve reliability	( )
	<input type="checkbox"/> Part standardization	<input type="checkbox"/> Other ( )	
<b>Model Name:</b>			
PINKGOLD: Ricoh JP3000/JP3800, Gestetner 5430/5428C, RexRotary 1330, nashuatec CP430, Savin 3260DNP, Standard SD370, Lanier LDD030			
PGB4 (China only): Ricoh JP2800, Gestetner 5425C			

The following has been changed due to a vendor change.

Old part number	New part number	Description	Q'ty	Int	Page	Index
C2004723	C2472461	Adjusting plate - doctor roller	2	O/O	35	26



**Model:** PRIPORT PINKGOLD/PGB4

**Date:** 27-Mar-03

**No:** M-C238-015

## CUT-IN SERIAL NUMBERS

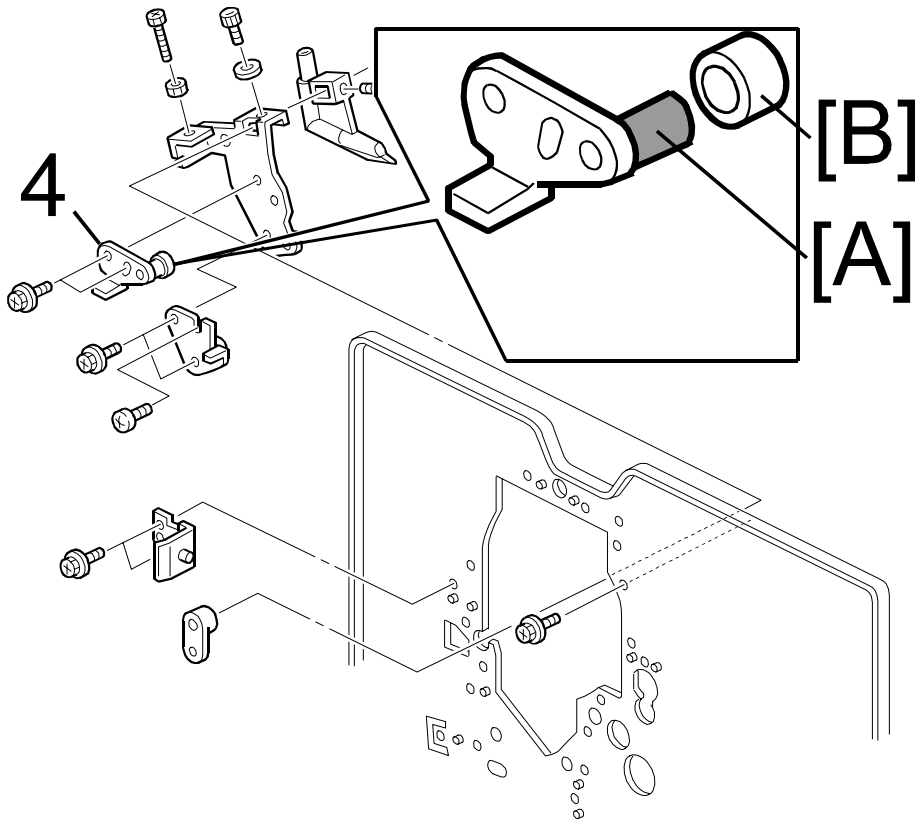
Model Name	V/Hz	Destination	Code	Serial Number
Standard SD370	120/60	USA, Canada	C238-11	Discontinued
Gestetner 5430	120/60	Taiwan	C238-13	
Ges 5430, Rex 1330, Nsa CP430	230/50	Europe	C238-22	
Gestetner 5430	230/50	Asia, etc.	C238-23	
Ricoh JP3800	230/50	China	C238-26	
Ricoh JP3000	230/50	Europe	C238-27	
Gestetner 5428C	230/50	China	C238-28	
Ricoh JP3000	230/50	Asia, etc.	C238-29	
Ricoh JP3000, Ges 5430, Savin 3260DNP	120/60	USA, Canada	C238-52	
Ricoh JP3000, Gestetner 5430	230/50	Latin America	C238-54	
Standard SD370	120/60	USA, Canada	C238-61	F0921270001
Gestetner 5430	120/60	Taiwan	C238-63	
Ges 5430, Rex 1330, Nsa CP430	230/50	Europe	C238-72	
Gestetner 5430	230/50	Asia, etc.	C238-73	
Ricoh JP3800	230/50	China	C238-76	
Ricoh JP3000	230/50	Europe	C238-77	
Gestetner 5428C	230/50	China	C238-78	
Ricoh JP3000	230/50	Asia, etc.	C238-79	
Ricoh JP3000, Ges 5430, Savin 3260DNP, Lanier LDD030	120/60	USA, Canada	C238-92	
Ricoh JP3000, Gestetner 5430	230/50	Latin America	C238-94	
Ricoh JP2800	230/50	China	C247-76	F2420970001
Gestetner 5425C	230/50	China	C247-78	



<b>Model:</b> PRIPORT PINKGOLD/PGB4		<b>Date:</b> 16-Apr-03	<b>No:</b> M-C238-016
<b>Modified Article:</b> Exit pawl drive arm 2		<b>Prepared by:</b>	
<b>From:</b> Priport Service Planning Section		H. Onodera	
<b>Classification:</b>	<input type="checkbox"/> Parts catalog correction	<input type="checkbox"/> Vendor change	<input type="checkbox"/> To meet standards
	<input type="checkbox"/> To facilitate assembly	<input checked="" type="checkbox"/> To improve reliability	( )
	<input type="checkbox"/> Part standardization	<input type="checkbox"/> Other ( )	
<b>Model Name:</b>			
PINKGOLD: Ricoh JP3000/JP3800, Gestetner 5430/5428C, RexRotary 1330, nashuatec CP430, Savin 3260DNP, Standard SD370, Lanier LDD030			
PGB4 (China only): Ricoh JP2800, Gestetner 5425C			

The material of the shaft [A] shown below has been changed from iron to stainless steel to ensure smoother rotation of the roller [B] for exit pawl drive arm 2.

Old part number	New part number	Description	Q'ty	Int	Page	Index
C2384483	C2384493	Exit pawl drive arm 2	1	X/O	27	4



**Model:** PRIPORT PINKGOLD/PGB4

**Date:** 16-Apr-03

**No:** M-C238-016

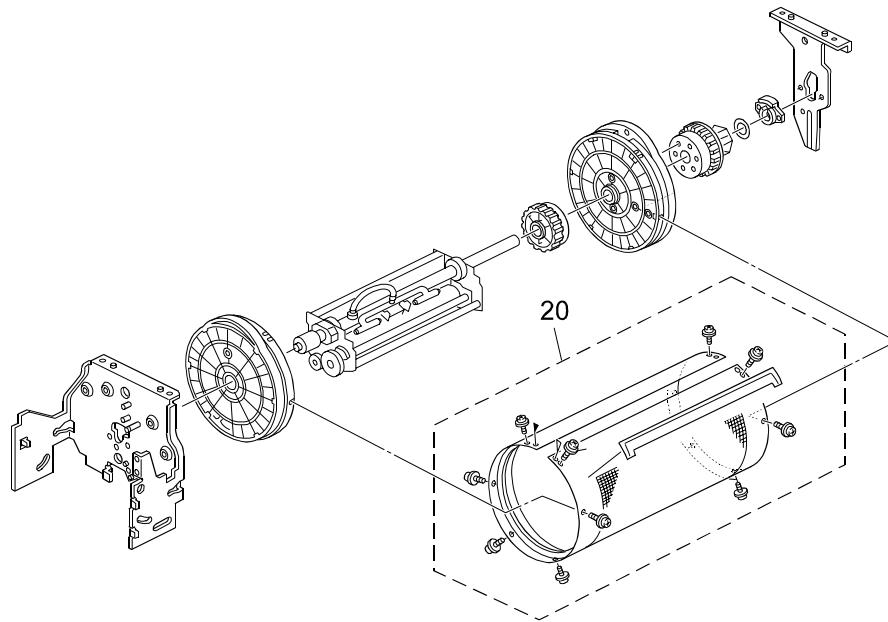
## CUT IN SERIAL NUMBERS

Model Name	V/Hz	Destination	Code	Serial Number
Standard SD370	120/60	USA, Canada	C238-11	Discontinued
Gestetner 5430	120/60	Taiwan	C238-13	
Ges 5430, Rex 1330, Nsa CP430	230/50	Europe	C238-22	
Gestetner 5430	230/50	Asia, etc.	C238-23	
Ricoh JP3800	230/50	China	C238-26	
Ricoh JP3000	230/50	Europe	C238-27	
Gestetner 5428C	230/50	China	C238-28	
Ricoh JP3000	230/50	Asia, etc.	C238-29	
Ricoh JP3000, Ges 5430, Savin 3260DNP	120/60	USA, Canada	C238-52	
Ricoh JP3000, Gestetner 5430	230/50	Latin America	C238-54	
Standard SD370	120/60	USA, Canada	C238-61	F0930670001
Gestetner 5430	120/60	Taiwan	C238-63	
Ges 5430, Rex 1330, Nsa CP430	230/50	Europe	C238-72	
Gestetner 5430	230/50	Asia, etc.	C238-73	
Ricoh JP3800	230/50	China	C238-76	
Ricoh JP3000	230/50	Europe	C238-77	
Gestetner 5428C	230/50	China	C238-78	
Ricoh JP3000	230/50	Asia, etc.	C238-79	
Ricoh JP3000, Ges 5430, Savin 3260DNP, Lanier LDD030	120/60	USA, Canada	C238-92	
Ricoh JP3000, Gestetner 5430	230/50	Latin America	C238-94	
Ricoh JP2800	230/50	China	C247-76	F2430670001
Gestetner 5425C	230/50	China	C247-78	

<b>Model:</b> PRIPORT PINKGOLD/PGB4	<b>Date:</b> 22-Apr-03	<b>No:</b> M-C238-017
<b>Modified Article:</b> Metal screen - A4	<b>Prepared by:</b>	
<b>From:</b> Priport Service Planning Section	H. Onodera	
<b>Classification:</b> <input type="checkbox"/> Parts catalog correction <input type="checkbox"/> Vendor change <input type="checkbox"/> To meet standards <input type="checkbox"/> To facilitate assembly <input type="checkbox"/> To improve reliability                 ( ) <input checked="" type="checkbox"/> Part standardization <input type="checkbox"/> Other ( )		
<b>Model Name:</b> PINKGOLD: Ricoh JP3000/JP3800, Gestetner 5430/5428C, RexRotary 1330, nashuatec CP430, Savin 3260DNP, Standard SD370, Lanier LDD030 PG B4 (China only): Ricoh JP2800, Gestetner 5425C		

The following has been changed due to parts standardization with the Japan model.

Old part number	New part number	Description	Q'ty	Int	Page	Index
C6092580	C6092570	Metal screen – A4	1	O/O	33	20



**Model:** PRIPORT PINKGOLD/PGB4

**Date:** 22-Apr-03

**No:** M-C238-017

## CUT-IN SERIAL NUMBERS

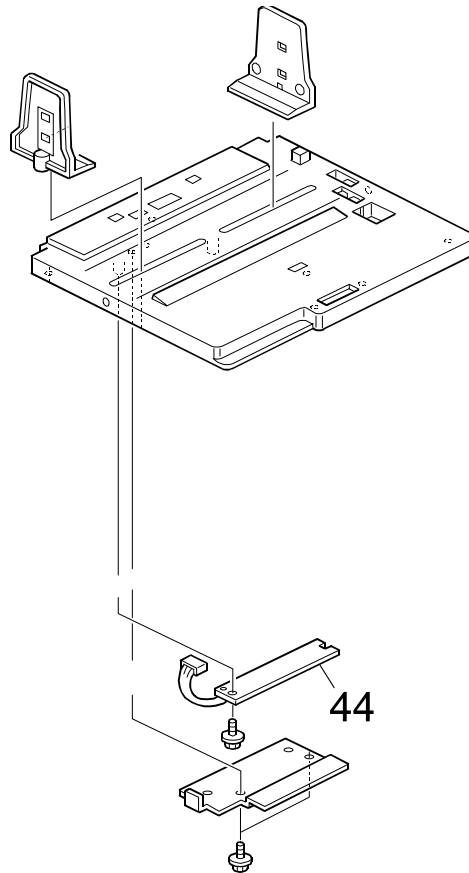
Model Name	V/Hz	Destination	Code	Serial Number
Standard SD370	120/60	USA, Canada	C238-11	Discontinued
Gestetner 5430	120/60	Taiwan	C238-13	
Ges 5430, Rex 1330, Nsa CP430	230/50	Europe	C238-22	
Gestetner 5430	230/50	Asia, etc.	C238-23	
Ricoh JP3800	230/50	China	C238-26	
Ricoh JP3000	230/50	Europe	C238-27	
Gestetner 5428C	230/50	China	C238-28	
Ricoh JP3000	230/50	Asia, etc.	C238-29	
Ricoh JP3000, Ges 5430, Savin 3260DNP	120/60	USA, Canada	C238-52	
Ricoh JP3000, Gestetner 5430	230/50	Latin America	C238-54	
Standard SD370	120/60	USA, Canada	C238-61	-
Gestetner 5430	120/60	Taiwan	C238-63	
Ges 5430, Rex 1330, Nsa CP430	230/50	Europe	C238-72	
Gestetner 5430	230/50	Asia, etc.	C238-73	
Ricoh JP3800	230/50	China	C238-76	
Ricoh JP3000	230/50	Europe	C238-77	
Gestetner 5428C	230/50	China	C238-78	
Ricoh JP3000	230/50	Asia, etc.	C238-79	
Ricoh JP3000, Ges 5430, Savin 3260DNP, Lanier LDD030	120/60	USA, Canada	C238-92	
Ricoh JP3000, Gestetner 5430	230/50	Latin America	C238-94	
Ricoh JP2800	230/50	China	C247-76	-
Gestetner 5425C	230/50	China	C247-78	

Model Name	Code	Serial Number
Black drum type 30 (S)	C609-35	F1320670001
Black drum type 30 (S)	C609-46	
Black drum type 30 (S)	C609-56	

<b>Model:</b> PRIPORT PINKGOLD/PGB4		<b>Date:</b> 21-May-03	<b>No:</b> M-C238-018
<b>Modified Article:</b> Paper size sensor board		<b>Prepared by:</b>	
<b>From:</b> Priport Service Planning Section		H. Onodera	
<b>Classification:</b>	<input type="checkbox"/> Parts catalog correction	<input type="checkbox"/> Vendor change	<input type="checkbox"/> To meet standards
	<input type="checkbox"/> To facilitate assembly	<input checked="" type="checkbox"/> To improve reliability	( )
	<input type="checkbox"/> Part standardization	<input type="checkbox"/> Other ( )	
<b>Model Name:</b>			
PINKGOLD: Ricoh JP3000/JP3800, Gestetner 5430/5428C, RexRotary 1330, nashuatec CP430, Savin 3260DNP, Standard SD370, Lanier LDD030			
PG B4 (China only): Ricoh JP2800, Gestetner 5425C			

The Paper Size Sensor Board has been changed to further ensure proper paper size detection.

Old #	New #	Description	Qty	Int	Page	Index
C2295155	C2385155	Paper size sensor board	1	O/O	17	44



C249A101.WMF

**Model:** PRIPORT PINKGOLD/PGB4

**Date:** 21-May-03

**No:** M-C238-018

## CUT-IN SERIAL NUMBERS

Model Name	V/Hz	Destination	Code	Serial Number
Standard SD370	120/60	USA, Canada	C238-11	Discontinued
Gestetner 5430	120/60	Taiwan	C238-13	
Ges 5430, Rex 1330, Nsa CP430	230/50	Europe	C238-22	
Gestetner 5430	230/50	Asia, etc.	C238-23	
Ricoh JP3800	230/50	China	C238-26	
Ricoh JP3000	230/50	Europe	C238-27	
Gestetner 5428C	230/50	China	C238-28	
Ricoh JP3000	230/50	Asia, etc.	C238-29	
Ricoh JP3000, Ges 5430, Savin 3260DNP	120/60	USA, Canada	C238-52	
Ricoh JP3000, Gestetner 5430	230/50	Latin America	C238-54	
Standard SD370	120/60	USA, Canada	C238-61	F0921170039
Gestetner 5430	120/60	Taiwan	C238-63	
Ges 5430, Rex 1330, Nsa CP430	230/50	Europe	C238-72	
Gestetner 5430	230/50	Asia, etc.	C238-73	
Ricoh JP3800	230/50	China	C238-76	
Ricoh JP3000	230/50	Europe	C238-77	
Gestetner 5428C	230/50	China	C238-78	
Ricoh JP3000	230/50	Asia, etc.	C238-79	
Ricoh JP3000, Ges 5430, Savin 3260DNP, Lanier LDD030	120/60	USA, Canada	C238-92	
Ricoh JP3000, Gestetner 5430	230/50	Latin America	C238-94	
Ricoh JP2800	230/50	China	C247-76	F2421270001
Gestetner 5425C	230/50	China	C247-78	

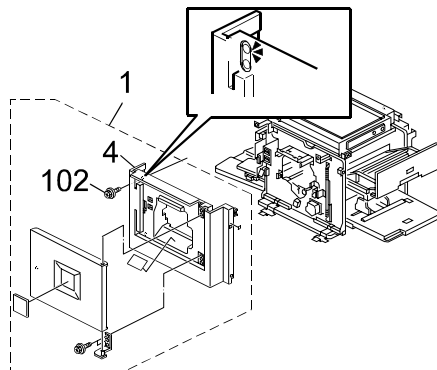
<b>Model:</b> PRIPORT PINKGOLD/PGB4		<b>Date:</b>	<b>No:</b> M-C238-
<b>Modified Article:</b> Front cover / Operation panel		<b>Prepared by:</b>	
<b>From:</b> Priport Service Planning Section		H. Onodera	
<b>Classification:</b>	<input type="checkbox"/> Parts catalog correction	<input type="checkbox"/> Vendor change	<input type="checkbox"/> To meet standards
	<input type="checkbox"/> To facilitate assembly	<input checked="" type="checkbox"/> To improve reliability	( )
	<input type="checkbox"/> Part standardization	<input type="checkbox"/> Other ( )	
<b>Model Name:</b>			
PINKGOLD: Ricoh JP3000/JP3800, Gestetner 5430/5428C, RexRotary 1330, nashuatec CP430, Savin 3260DNP, Standard SD370, Lanier LDD030			
PG B4 (China only): Ricoh JP2800, Gestetner 5425C			

The following parts have been changed to be used if requests are received for minimizing play between the operation panel and front cover. A tapping screw has been added and the following parts changed to accommodate the addition.

Old part number	New part number	Description	Q'ty	Int	Page	Index	Note
C2381279	C2381260	Front cover assembly	1	O/O	7	1	
C2381255	C2381265	Front cover	1	O/O	7	4	
-	04514008H	Tapping screw - M4X8	1	-	7	102	
C2381451	C2381411	Operation panel – NA	1	O/O	9	*	
C2381452	C2381427	Operation panel – EU	1				
C2381453	C2381426	Operation panel – CHN	1				
C2381454	C2381429	Operation panel – Metric	1				
C2381480	C2381580	Panel base – NA	1	O/O	9	2	
C2381481	C2381581	Panel base – EU	1				
C2381478	C2381578	Panel base – CHN	1				
-	C2381585	Left bracket	1	-	9	10*	New index
-	03530040Z	Binding head screw M3x4	1	-	9	102	

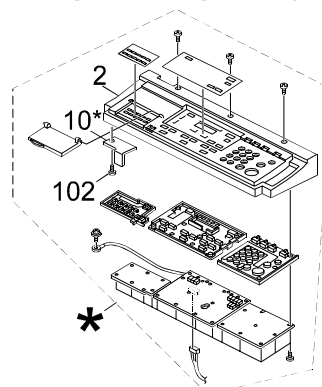
**NOTE:**

**1. Exterior (Pg. 7)**



C249A094.WMF

**2. Operation panel (Pg. 9)**

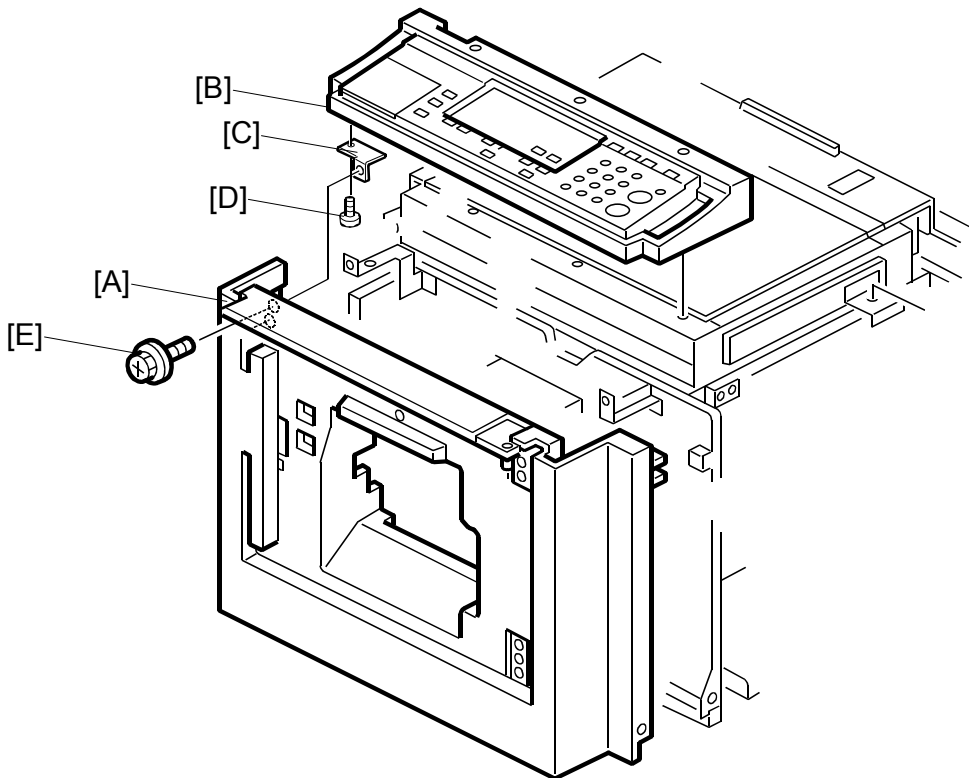


C238A073.WMF

**Model:** PRIPORT PINKGOLD/PGB4**Date:****No:** M-C238-**REMARKS**

When installing for the first time, please replace the following **together as a set**.

Index	Part number	Description	Q'ty	Int
A	C2381265	Front cover	1	X/O as a set
B	- (See previous page)	Panel base	1	
C	C2381585	Left bracket	1	
D	03530040Z	Binding head screw M3x4	1	
E	04514008H	Tapping screw - M4X8	1	



C249A093.WMF



<b>Model:</b> PRIPORT PINKGOLD/PGB4	<b>Date:</b>	<b>No:</b> M-C238-
-------------------------------------	--------------	--------------------

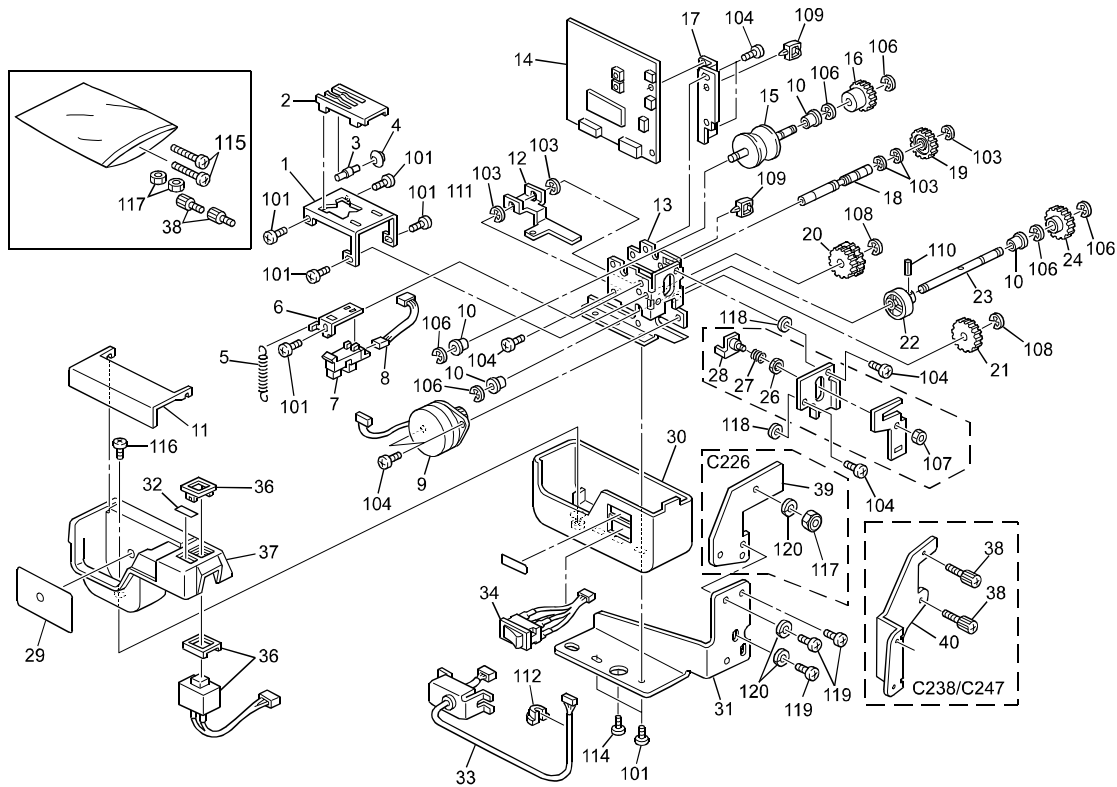
## CUT-IN SERIAL NUMBERS

Model Name	V/Hz	Destination	Code	Serial Number
Standard SD370	120/60	USA, Canada	C238-11	Discontinued
Gestetner 5430	120/60	Taiwan	C238-13	
Ges 5430, Rex 1330, Nsa CP430	230/50	Europe	C238-22	
Gestetner 5430	230/50	Asia, etc.	C238-23	
Ricoh JP3800	230/50	China	C238-26	
Ricoh JP3000	230/50	Europe	C238-27	
Gestetner 5428C	230/50	China	C238-28	
Ricoh JP3000	230/50	Asia, etc.	C238-29	
Ricoh JP3000, Ges 5430, Savin 3260DNP	120/60	USA, Canada	C238-52	
Ricoh JP3000, Gestetner 5430	230/50	Latin America	C238-54	
Standard SD370	120/60	USA, Canada	C238-61	F0920770001
Gestetner 5430	120/60	Taiwan	C238-63	
Ges 5430, Rex 1330, Nsa CP430	230/50	Europe	C238-72	
Gestetner 5430	230/50	Asia, etc.	C238-73	
Ricoh JP3800	230/50	China	C238-76	
Ricoh JP3000	230/50	Europe	C238-77	
Gestetner 5428C	230/50	China	C238-78	
Ricoh JP3000	230/50	Asia, etc.	C238-79	
Ricoh JP3000, Ges 5430, Savin 3260DNP, Lanier LDD030	120/60	USA, Canada	C238-92	
Ricoh JP3000, Gestetner 5430	230/50	Latin America	C238-94	
Ricoh JP2800	230/50	China	C247-76	-
Gestetner 5425C	230/50	China	C247-78	

<b>Model:</b> PRIPORT PINKGOLD/PGB4	<b>Date:</b> 21-May-03	<b>No:</b> M-C238-020
<b>Modified Article:</b> Tape Marker (Dispenser) component parts	<b>Prepared by:</b>	
<b>From:</b> Priport Service Planning Section	H. Onodera	
<b>Classification:</b>	<input checked="" type="checkbox"/> Parts catalog correction <input type="checkbox"/> Vendor change <input type="checkbox"/> To meet standards <input type="checkbox"/> To facilitate assembly <input type="checkbox"/> To improve reliability    (    ) <input type="checkbox"/> Part standardization <input type="checkbox"/> Other (    )	
<b>Model Name:</b>		
PINKGOLD:	Ricoh JP3000/JP3800, Gestetner 5430/5428C, RexRotary 1330, nashuatec CP430, Savin 3260DNP, Standard SD370, Lanier LDD030	
PGB4 (China only):	Ricoh JP2800, Gestetner 5425C	

Please add the following components for the optional Tape Marker (dispenser) to your Parts Catalogs, as these were missing from the catalog.

## PARTS CATALOG (C532)



**Model:** PRIPORT PINKGOLD/PGB4

**Date:** 21-May-03

**No:** M-C238-020

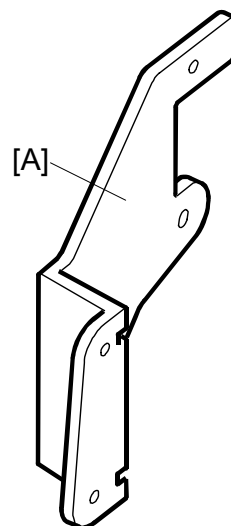
Index	Part No.	Description	Q'ty
1	C532 2221	Lower Tape Guide	1
2	C532 2222	Upper Tape Guide	1
3	C532 2224	Roller Shaft	1
4	C532 2223	Roller	1
5	C532 2238	Spring	1
6	C532 2229	Home Sensor Bracket	1
7	AW02 0021	Photointerruptor	1
8	C532 8110	Sensor Harness	1
9	C532 5800	Sepper Motor - DC24V	1
10	5203 1852	Bushinig - 6mm	1
11	C532 2205	Tape Cover	1
12	C532 2228	Cutter Arm	1
13	C532 2206	Frame	1
14	C532 8001	Motor Drive Board	1
15	C532 2220	Feed Roller	1
16	C532 2215	Gear - 16Z	1
17	C532 2241	Motor Drive Board Bracket	1
18	C532 2210	Cutter Drive Shaft	1
19	C532 2212	2nd Gear - 23/48Z	1
20	C200 3604	Coupled Gear - 16T & 50T	1
21	5205 2612	Gear - 19Z	1
22	C532 2227	Cutter Cam	1
23	C532 2226	Cutter Cam Shaft	1
24	C532 2216	Gear - 26Z	1
25	C532 2230	Cutter A'ssy	1
26	5507 4452	Spacer - 5x8x0.5mm	1
27	C532 2237	Spring	1
28	C532 2233	Sheilding Plate	1
29	C532 2563	Decal - Tape Set	1
30	C532 2404	Lower Cover	1
31	C532 2111	Tape Maker Bracket	1
32	C532 2562	Decal - Manual	1
33	C532 8230	Tape Maker Harness	1
34	C532 8115	Main Switch	1
36	C532 8120	Push Switch	1
37	C532 2403	Upper Cover	1
38	C532 2009	Knob Screw - M4	2
39	C532 6501	Auxiliary Bracket (C226)	1
40*	C532 6502	PG Auxiliary Bracket (C238/C247)	1
*	C532 2563	Decal - Tape Set	1
*	C532 2562	Decal - Manual	1
101	0801 1135	Philips Pan Head Screw - M3x3	
103	0720 0040Z	Retaining Ring - M4	
104	0313 0050Z	Philips Screw - 3x5	
106	0720 0050Z	Retaining Ring - M5	
107	0710 0030Z	Hex Nut 3	
108	0720 0030Z	Retaining Ring - M3	
109	1105 0360	Clamp	
110	0622 0100E	Spring Pin - 2x10mm	
112	1106 0418	Cord Bushing	
114	0965 3005B	Tapping Screw W/T Flat Washer-M3x5	
115	0314 0250W	Philips Pan Head Screw - M4x25	
116	0354 0050Z	Tapping Screw - M4x5	
117	0710 0040W	Hexagon Nut - M4	
118	0708 0030B	Washer - M3	
119	0960 4008Z	Philips Flange Screw - M4 x 8	
120	0703 0040Z	Spring Washer - M4	

**Model:** PRIPORT PINKGOLD/PGB4**Date:** 21-May-03**No:** M-C238-020**Remarks for installing the Tape Marker on PINKGOLD/PGB4 models:**

As mentioned in the list above, a bracket [A] (C5326502) is required when installing the Tape Marker on the PINKGOLD and PGB4. The Tape Marker cut-in S/N are listed below.

**Cut in Serial Numbers**

Model Name	Code	Serial Number
Tape Marker type 20 (Ricoh)	C532-23	F1411200001
Tape Dispenser (Other)	C532-27	



C249A092.WMF

**Model:** PRIPORT PINKGOLD/PGB4

**Date:** 21-May-03

**No:** M-C238-020

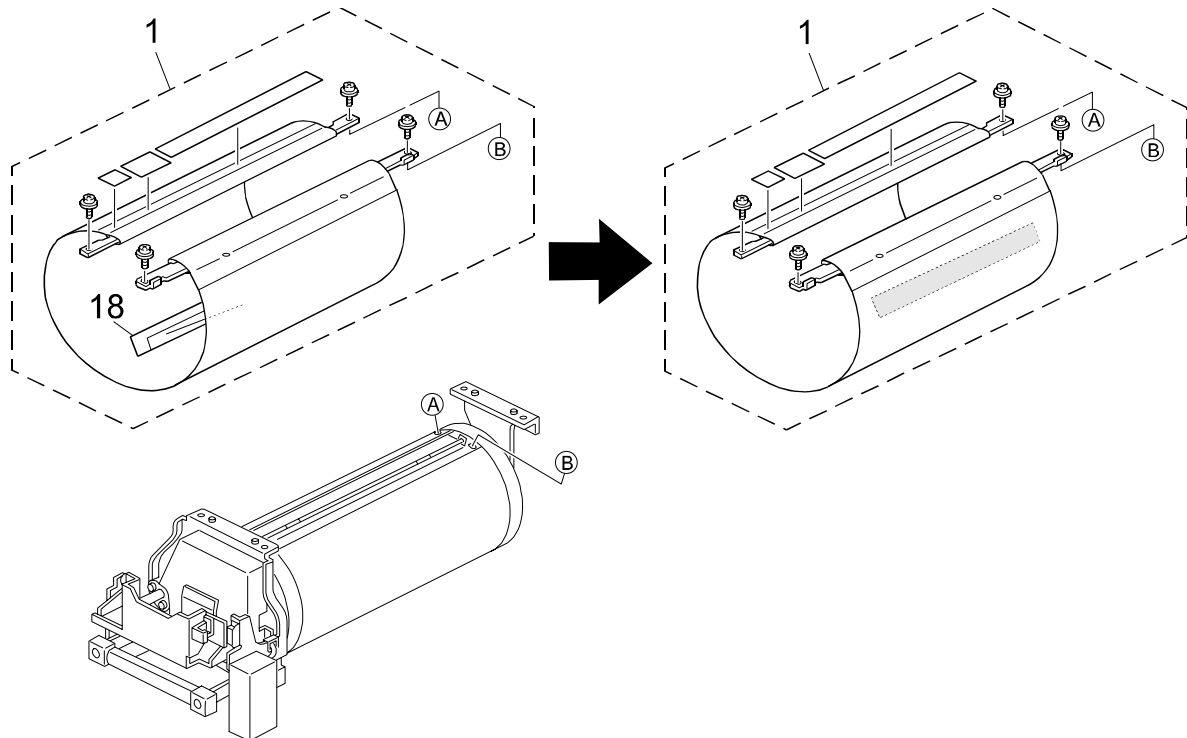
## CUT IN SERIAL NUMBERS

Model Name	V/Hz	Destination	Code	Serial Number	
Standard SD370	120/60	USA, Canada	C238-11	-	
Gestetner 5430	120/60	Taiwan	C238-13		
Ges 5430, Rex 1330, Nsa CP430	230/50	Europe	C238-22		
Gestetner 5430	230/50	Asia, etc.	C238-23		
Ricoh JP3800	230/50	China	C238-26		
Ricoh JP3000	230/50	Europe	C238-27		
Gestetner 5428C	230/50	China	C238-28		
Ricoh JP3000	230/50	Asia, etc.	C238-29		
Ricoh JP3000, Ges 5430, Savin 3260DNP	120/60	USA, Canada	C238-52		
Ricoh JP3000, Gestetner 5430	230/50	Latin America	C238-54		
Standard SD370	120/60	USA, Canada	C238-61		-
Gestetner 5430	120/60	Taiwan	C238-63		
Ges 5430, Rex 1330, Nsa CP430	230/50	Europe	C238-72		
Gestetner 5430	230/50	Asia, etc.	C238-73		
Ricoh JP3800	230/50	China	C238-76		
Ricoh JP3000	230/50	Europe	C238-77		
Gestetner 5428C	230/50	China	C238-78		
Ricoh JP3000	230/50	Asia, etc.	C238-79		
Ricoh JP3000, Ges 5430, Savin 3260DNP, Lanier LDD030	120/60	USA, Canada	C238-92		
Ricoh JP3000, Gestetner 5430	230/50	Latin America	C238-94		
Ricoh JP2800	230/50	China	C247-76	-	
Gestetner 5425C	230/50	China	C247-78		

<b>Model:</b> PRIPORT PINKGOLD/PGB4	<b>Date:</b> 21-May-03	<b>No:</b> M-C238-021
<b>Modified Article:</b> Cloth screen	<b>Prepared by:</b>	
<b>From:</b> Priport Service Planning Section	H. Onodera	
<b>Classification:</b>	<input type="checkbox"/> Parts catalog correction <input type="checkbox"/> Vendor change <input type="checkbox"/> To meet standards <input type="checkbox"/> To facilitate assembly <input type="checkbox"/> To improve reliability    (    ) <input type="checkbox"/> Part standardization <input type="checkbox"/> Other (    )	
<b>Model Name:</b>		
PINKGOLD: Ricoh JP3000/JP3800, Gestetner 5430/5428C, RexRotary 1330, nashuatec CP430, Savin 3260DNP, Standard SD370, Lanier LDD030 PGB4 (China only): Ricoh JP2800, Gestetner 5425C		

The Cloth Screens have been changed to the ones used on the PGB4, which were modified by combining the screen and sheet into one part to ensure that the sheet does not separate from the screen.

Old part number	New part number	Description	Q'ty	Int	Page	Index
C2382304	C2382381	Cloth screen – A3	1	O/O	31	1
C6092382	C6092381	Cloth screen – A4	1	O/O	31	1
C2382384	-	-	0	-	31	18



**Model:** PRIPORT PINKGOLD/PGB4

**Date:** 21-May-03

**No:** M-C238-021

## CUT-IN SERIAL NUMBERS

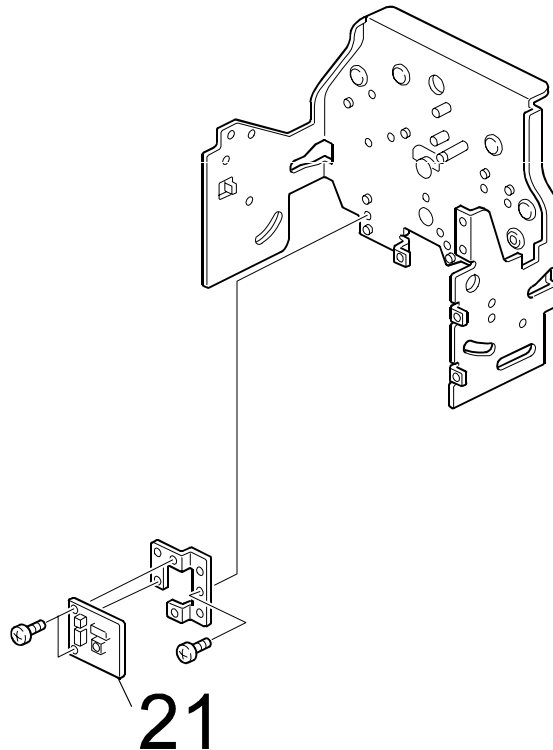
Model Name	V/Hz	Destination	Code	Serial Number
Standard SD370	120/60	USA, Canada	C238-11	Discontinued
Gestetner 5430	120/60	Taiwan	C238-13	
Ges 5430, Rex 1330, Nsa CP430	230/50	Europe	C238-22	
Gestetner 5430	230/50	Asia, etc.	C238-23	
Ricoh JP3800	230/50	China	C238-26	
Ricoh JP3000	230/50	Europe	C238-27	
Gestetner 5428C	230/50	China	C238-28	
Ricoh JP3000	230/50	Asia, etc.	C238-29	
Ricoh JP3000, Ges 5430, Savin 3260DNP	120/60	USA, Canada	C238-52	
Ricoh JP3000, Gestetner 5430	230/50	Latin America	C238-54	
Standard SD370	120/60	USA, Canada	C238-61	F0921070001
Gestetner 5430	120/60	Taiwan	C238-63	
Ges 5430, Rex 1330, Nsa CP430	230/50	Europe	C238-72	
Gestetner 5430	230/50	Asia, etc.	C238-73	
Ricoh JP3800	230/50	China	C238-76	
Ricoh JP3000	230/50	Europe	C238-77	
Gestetner 5428C	230/50	China	C238-78	
Ricoh JP3000	230/50	Asia, etc.	C238-79	
Ricoh JP3000, Ges 5430, Savin 3260DNP, Lanier LDD030	120/60	USA, Canada	C238-92	
Ricoh JP3000, Gestetner 5430	230/50	Latin America	C238-94	
Ricoh JP2800	230/50	China	C247-76	-
Gestetner 5425C	230/50	China	C247-78	

<b>Model:</b> PRIPORT PINKGOLD/PGB4	<b>Date:</b> 23-May-03	<b>No:</b> M-C238-022
<b>Modified Article:</b> Ink detection board	<b>Prepared by:</b>	
<b>From:</b> Priport Service Planning Section	H. Onodera	
<b>Classification:</b>	<input type="checkbox"/> Parts catalog correction <input type="checkbox"/> Vendor change <input type="checkbox"/> To meet standards <input type="checkbox"/> To facilitate assembly <input checked="" type="checkbox"/> To improve reliability    (    ) <input type="checkbox"/> Part standardization <input type="checkbox"/> Other (    )	
<b>Model Name:</b>		
PINKGOLD: Ricoh JP3000/JP3800, Gestetner 5430/5428C, RexRotary 1330, nashuatec CP430, Savin 3260DNP, Standard SD370, Lanier LDD030 PG B4 (China only): Ricoh JP2800, Gestetner 5425C		

The ink detection Board has been changed to ensure ink misdetections and ink leaks do not occur.

**Important:** When replacing this part, please be sure to perform the adjustment described below.

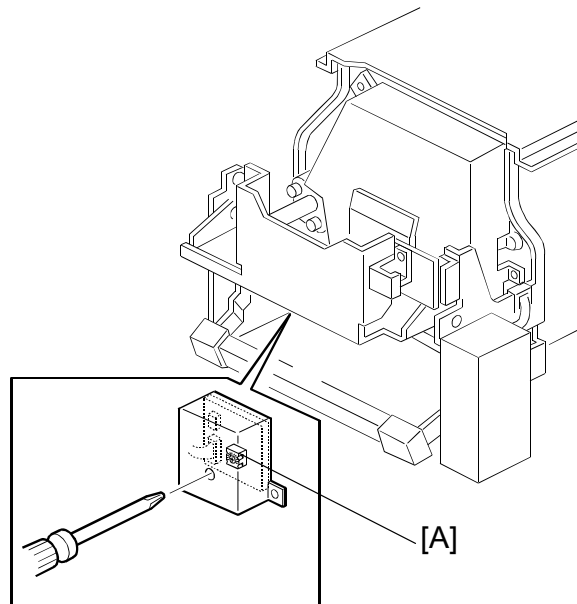
Old #	New #	Description	Qty	Int	Page	Index
C2385140	C2385142	Ink Board	1	X/O	29	21





## SP6-40: INK DETECTION ADJUSTMENT

**CAUTION:** Before performing this procedure, be sure to wipe off the ink around the ink roller. To do this, set SP2-10 (Ink detection) to OFF, then feed paper until the ink end condition is reached. Also, after completing the procedure below, please be sure to return SP2-10 to its default (ink detection ON).



1. Access SP6-40, then open the door cover.
2. Turn VR1 [A] on the ink detection board until the display reads “6.0 u.”

**NOTE:** 1) Adjust to “5.0 u” on PGB4 models for **China**.  
2) The display will read “----” if there is still ink remaining.

**Model:** PRIPORT PINKGOLD/PGB4

**Date:** 23-May-03

**No:** M-C238-022

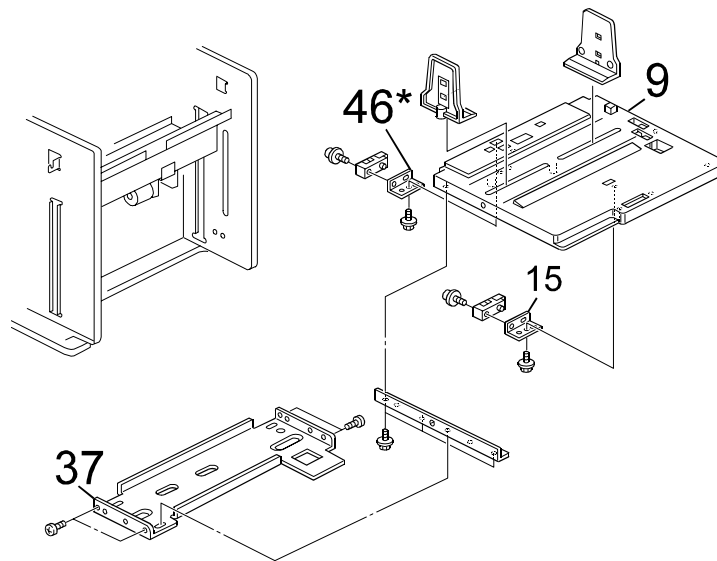
## CUT-IN SERIAL NUMBERS

Model Name	V/Hz	Destination	Code	Serial Number
Standard SD370	120/60	USA, Canada	C238-11	Discontinued
Gestetner 5430	120/60	Taiwan	C238-13	
Ges 5430, Rex 1330, Nsa CP430	230/50	Europe	C238-22	
Gestetner 5430	230/50	Asia, etc.	C238-23	
Ricoh JP3800	230/50	China	C238-26	
Ricoh JP3000	230/50	Europe	C238-27	
Gestetner 5428C	230/50	China	C238-28	
Ricoh JP3000	230/50	Asia, etc.	C238-29	
Ricoh JP3000, Ges 5430, Savin 3260DNP	120/60	USA, Canada	C238-52	
Ricoh JP3000, Gestetner 5430	230/50	Latin America	C238-54	
Standard SD370	120/60	USA, Canada	C238-61	F0930370242
Gestetner 5430	120/60	Taiwan	C238-63	
Ges 5430, Rex 1330, Nsa CP430	230/50	Europe	C238-72	
Gestetner 5430	230/50	Asia, etc.	C238-73	
Ricoh JP3800	230/50	China	C238-76	
Ricoh JP3000	230/50	Europe	C238-77	
Gestetner 5428C	230/50	China	C238-78	
Ricoh JP3000	230/50	Asia, etc.	C238-79	
Ricoh JP3000, Ges 5430, Savin 3260DNP, Lanier LDD030	120/60	USA, Canada	C238-92	
Ricoh JP3000, Gestetner 5430	230/50	Latin America	C238-94	
Ricoh JP2800	230/50	China	C247-76	F2430470149
Gestetner 5425C	230/50	China	C247-78	

<b>Model:</b> PRIPORT PINKGOLD/PGB4		<b>Date:</b> 23-May-03	<b>No:</b> M-C238-023
<b>Modified Article:</b> Paper table		<b>Prepared by:</b>	
<b>From:</b> Priport Service Planning Section		H. Onodera	
<b>Classification:</b> <input type="checkbox"/> Parts catalog correction <input type="checkbox"/> Vendor change <input type="checkbox"/> To meet standards <input type="checkbox"/> To facilitate assembly <input checked="" type="checkbox"/> To improve reliability         ( ) <input type="checkbox"/> Part standardization <input type="checkbox"/> Other ( )			
<b>Model Name:</b> PINKGOLD: Ricoh JP3000/JP3800, Gestetner 5430/5428C, RexRotary 1330, nashuatec CP430, Savin 3260DNP, Standard SD370, Lanier LDD030 PG B4 (China only): Ricoh JP2800, Gestetner 5425C			

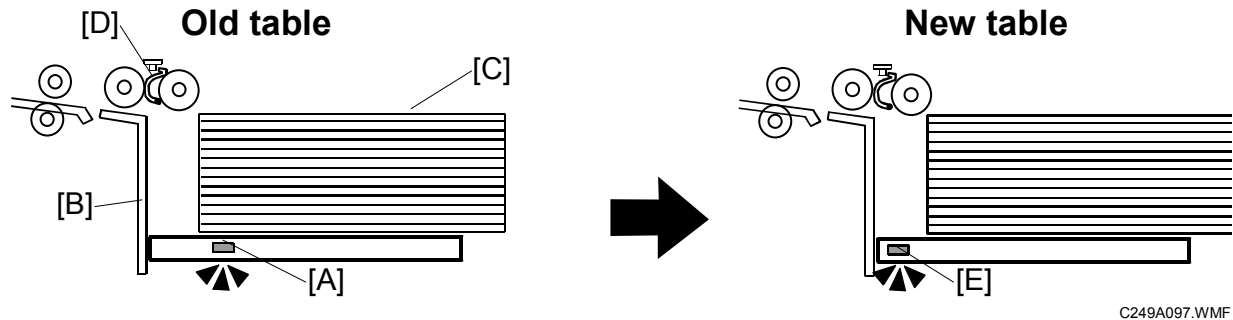
The Paper Feed Tray (table) has been changed to improve paper stack detection. Please see the next page for details.

Old part number	New part number	Description	Q'ty	Int	Page	Index
C2382950	C2382949	Paper feed tray	1	X/O as a set	17	9
C2382986	-	-	2 -> 1		17	15
-	C2382985	Sensor bracket – paper end	1		17	*46
C2382954	C2382955	Tray base	1		17	37



C249A098.WMF

## DETAILS



Due to the distance of the previous paper end sensor [A] and paper height sensor [D] from the plate [B], the following may occur if the paper stack is not loaded correctly (i.e. flush against the plate).

- The end sensor detects the stack, but the pick-up roller cannot catch on the stack and feed the top sheet, causing a feed error.
- The height sensor cannot detect the paper stack, causing the bottom plate to lift the stack beyond the correct point.

The paper end sensor [E] on the new feed tray has been positioned closer to the plate so that the stack must be set closer to the plate in order to be detected.

**Model:** PRIPORT PINKGOLD/PGB4

**Date:** 23-May-03

**No:** M-C238-023

## CUT-IN SERIAL NUMBERS

Model Name	V/Hz	Destination	Code	Serial Number
Standard SD370	120/60	USA, Canada	C238-11	Discontinued
Gestetner 5430	120/60	Taiwan	C238-13	
Ges 5430, Rex 1330, Nsa CP430	230/50	Europe	C238-22	
Gestetner 5430	230/50	Asia, etc.	C238-23	
Ricoh JP3800	230/50	China	C238-26	
Ricoh JP3000	230/50	Europe	C238-27	
Gestetner 5428C	230/50	China	C238-28	
Ricoh JP3000	230/50	Asia, etc.	C238-29	
Ricoh JP3000, Ges 5430, Savin 3260DNP	120/60	USA, Canada	C238-52	
Ricoh JP3000, Gestetner 5430	230/50	Latin America	C238-54	
Standard SD370	120/60	USA, Canada	C238-61	F0920770001
Gestetner 5430	120/60	Taiwan	C238-63	
Ges 5430, Rex 1330, Nsa CP430	230/50	Europe	C238-72	
Gestetner 5430	230/50	Asia, etc.	C238-73	
Ricoh JP3800	230/50	China	C238-76	
Ricoh JP3000	230/50	Europe	C238-77	
Gestetner 5428C	230/50	China	C238-78	
Ricoh JP3000	230/50	Asia, etc.	C238-79	
Ricoh JP3000, Ges 5430, Savin 3260DNP, Lanier LDD030	120/60	USA, Canada	C238-92	
Ricoh JP3000, Gestetner 5430	230/50	Latin America	C238-94	
Ricoh JP2800	230/50	China	C247-76	F2420770001
Gestetner 5425C	230/50	China	C247-78	

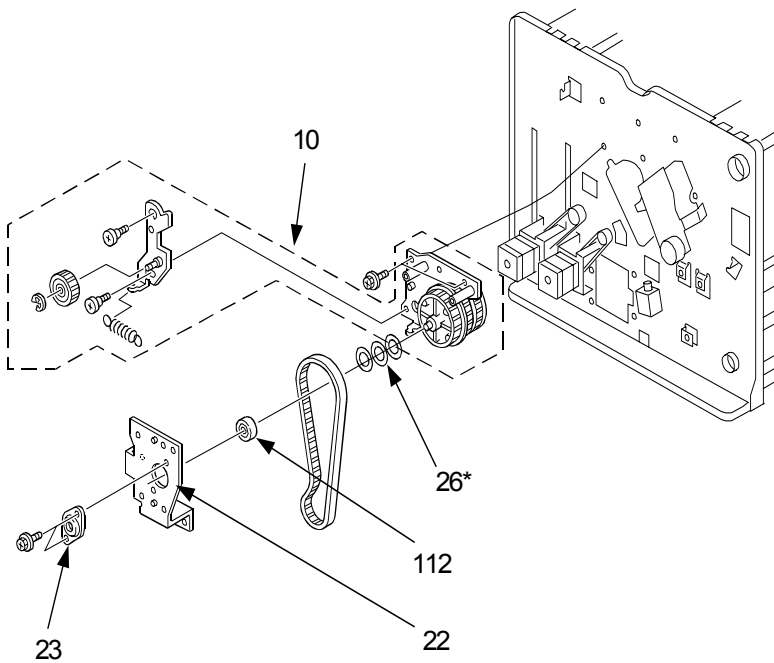
<b>Model:</b> PRIPORT PINKGOLD/PGB4	<b>Date:</b> 6-Aug-03	<b>No:</b> M-C238-024
<b>Modified Article:</b> Spacer addition	<b>Prepared by:</b>	
<b>From:</b> Priport Service Planning Section	M. Kanomata	
<b>Classification:</b>	<input type="checkbox"/> Parts catalog correction <input type="checkbox"/> Vendor change <input type="checkbox"/> To meet standards <input type="checkbox"/> To facilitate assembly <input checked="" type="checkbox"/> To improve reliability    (    ) <input type="checkbox"/> Part standardization <input type="checkbox"/> Other (    )	
<b>Model Name:</b>		
PINKGOLD: Ricoh JP3000/JP3800, Gestetner 5430/5428C, RexRotary 1330, nashuatec CP430, Savin 3260DNP, Standard SD370, Lanier LDD030 PGB4 (China only): Ricoh JP2800, Gestetner 5425C		

The following three spacers have been added between the Drum Gear Assembly (#10) and Ball Bearing (#112) to ensure that the bearing stays properly fixed in place.

Old #	New #	Description	Qty	Int	Page	Index
-	08077013	Spacer	3	-	43	26*

- For machines in the field produced before the cut-in S/N:

Please use the **C2389000 spacer** newly registered with service parts. See **RTB #RC238009** for the installation procedure and other notes.



**Model:** PRIPORT PINKGOLD/PGB4

**Date:** 6-Aug-03

**No:** M-C238-024

## CUT IN SERIAL NUMBERS

Model Name	V/Hz	Destination	Code	Serial Number
Standard SD370	120/60	USA	C238-11	Discontinued
Gestetner 5430	120/60	Taiwan	C238-13	
Ges 5430, Rex 1330, Nsa CP430	230/50	Europe	C238-22	
Gestetner 5430	230/50	Asia, etc.	C238-23	
Ricoh JP3800	230/50	China	C238-26	
Ricoh JP3000	230/50	Europe	C238-27	
Gestetner 5428C	230/50	China	C238-28	
Ricoh JP3000	230/50	Asia, etc.	C238-29	
Ricoh JP3000, Ges 5430, Savin 3260DNP	120/60	USA, Canada	C238-52	
Gestetner 5430, Nsa CP430	230/50	Latin America	C238-54	
Standard SD370	120/60	USA	C238-61	F0930470131
Gestetner 5430	120/60	Taiwan	C238-63	F0930670166
Ges 5430, Rex 1330, Nsa CP430	230/50	Europe	C238-72	F0930570457
Gestetner 5430	230/50	Asia, etc.	C238-73	F0920970159
Ricoh JP3800	230/50	China	C238-76	F0930570127
Ricoh JP3000	230/50	Europe	C238-77	F0930570107
Gestetner 5428C	230/50	China	C238-78	F0930570252
Ricoh JP3000	230/50	Asia, etc.	C238-79	F0930570101
Ricoh JP3000, Ges 5430, Savin 3260DNP	120/60	USA, Canada	C238-92	F0930570001
Gestetner 5430, Nsa CP430	230/50	Latin America	C238-94	F0930570117
Ricoh JP2800	230/50	China	C247-76	F2430370173
Gestetner 5425C	230/50	China	C247-78	F2430570001

Reissued: 2-Jun-05

<b>Model:</b> PRIPORT PINKGOLD/PGB4/PGP		<b>Date:</b> 26-Nov-03	<b>No:</b> M-C238-025a
<b>Modified Article:</b> New Model PGA3P/PGB4P information (China only)		<b>Prepared by:</b>	
<b>From:</b> Priport Service Planning Section		M. Kanomata	
<b>Classification:</b> <input type="checkbox"/> Parts catalog correction <input type="checkbox"/> Vendor change <input type="checkbox"/> To meet standards <input type="checkbox"/> To facilitate assembly <input type="checkbox"/> To improve reliability         ( ) <input type="checkbox"/> Part standardization <input checked="" type="checkbox"/> Other (New model information)			
<b>Model Name:</b> PINKGOLD: Ricoh JP3000/JP3800, Gestetner 5430/5428C, RexRotary 1330, nashuatec CP430, Savin 3260DNP, Standard SD370, Lanier LDD030 PGB4 (China only): Ricoh JP2800, Gestetner 5425C PGA3P (China only): Ricoh JP3810P, Gestetner 5438P PGB4P (China only): Ricoh JP2810P, Gestetner 5435P			

### MB Reissue

The areas in ***bold/italics*** were changed.

This bulletin lists the components unique to Model PGA3P (C246) / PGB4P (C254). Please add this list and accompanying illustrations to your PinkGold (C238) Parts Catalogs.

### Note:

- Please also see RTB #R-C238-012 for revisions made to the Service Manual due to minor changes applied to Model PGA3P/PGB4P.
- ***The Paper Plate Thin Pad (C2382770) and Thin Pad (C2382772) are not used on the PGA3P/PGB4P.***



Reissued: 2-Jun-05

<b>Model:</b> PRIPORT PINKGOLD/PGB4/PGP	<b>Date:</b> 26-Nov-03	<b>No:</b> M-C238-025a
---	------------------------	------------------------

## 1. EXTERIOR

Sec	Index	Parts No.	Description	Q'ty	Page
1	1	C246 1223	Front Cover Ass'y – RIC JP3810P	1	7
1	1	C246 1224	Front Cover Ass'y – GES 5438P	1	7
1	1	C254 1223	Front Cover Ass'y – RIC JP2810P	1	7
1	1	C254 1224	Front Cover Ass'y – GES 5435P	1	7
1	6	C246 1340	Emblem Decal – RIC JP3810P	1	7
1	6	C246 1341	Emblem Decal – GES 5438P	1	7
1	6	C254 1340	Emblem Decal – RIC JP2810P	1	7
1	6	C254 1341	Emblem Decal – GES 5435P	1	7
1	21	C249 1358	Rear Cover Ass'y – Left	1	7

## 12. DRUM UNIT 1

Sec	Index	Parts No.	Description	Q'ty	Page
12	8	C246 2529	Ink Pump 600 Ass'y	1	29

## 14. DRUM UNIT 3

Sec	Index	Parts No.	Description	Q'ty	Page
14	8	C249 2360	Front Drum Flange – A3	1	33
14	10	C249 2362	Rear Drum Flange – A3	1	33

## 21 ELECTRICAL SECTION 1

Sec	Index	Parts No.	Description	Q'ty	Page
21	1	C246 5100	MPU Board – A3	1	47
21	1	C254 5100	MPU Board – B4	1	47
21	22	C246 5124	Program I/O – A3	1	47
21	24	C246 5114	Program MPU – A3	1	47
21	24	C254 5117	Program MPU – B4	1	47

## 25. DECALS AND DOCUMENTS

Sec	Index	Parts No.	Description	Q'ty	Page
25	16	C246 8606	Operating Instructions – RIC JP3810P	1	63
25	16	C246 8686	Operating Instructions – GES 5438P	1	63
25	16	C254 8606	Operating Instructions – RIC JP2810P	1	63
25	16	C254 8686	Operating Instructions – GES 5435P	1	63

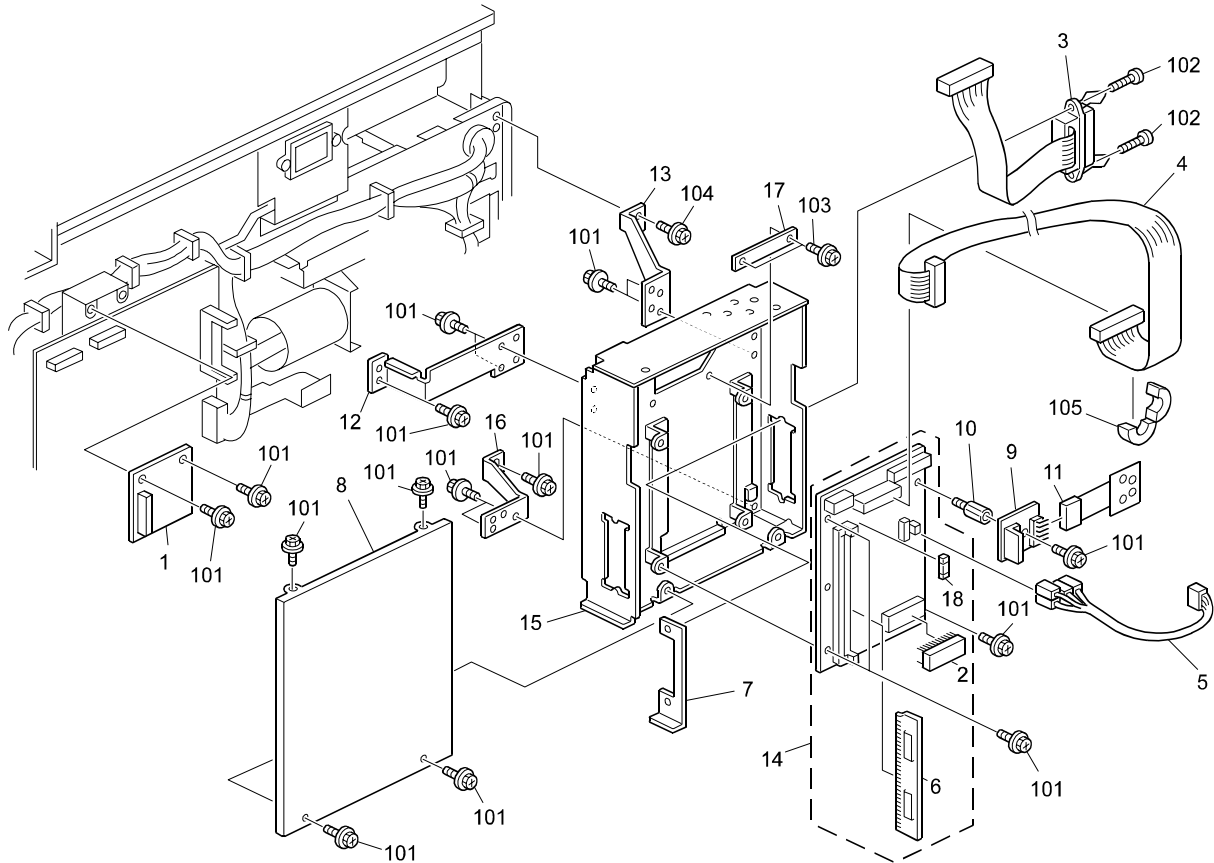
Reissued: 2-Jun-05

Model: PRIPORT PINKGOLD/PGB4/PGP

Date: 26-Nov-03

No: M-C238-025a

## 27. PRINTER CONTROLLER UNIT



Reissued: 2-Jun-05

**Model:** PRIPORT PINKGOLD/PGB4/PGP

**Date:** 26-Nov-03

**No:** M-C238-025a

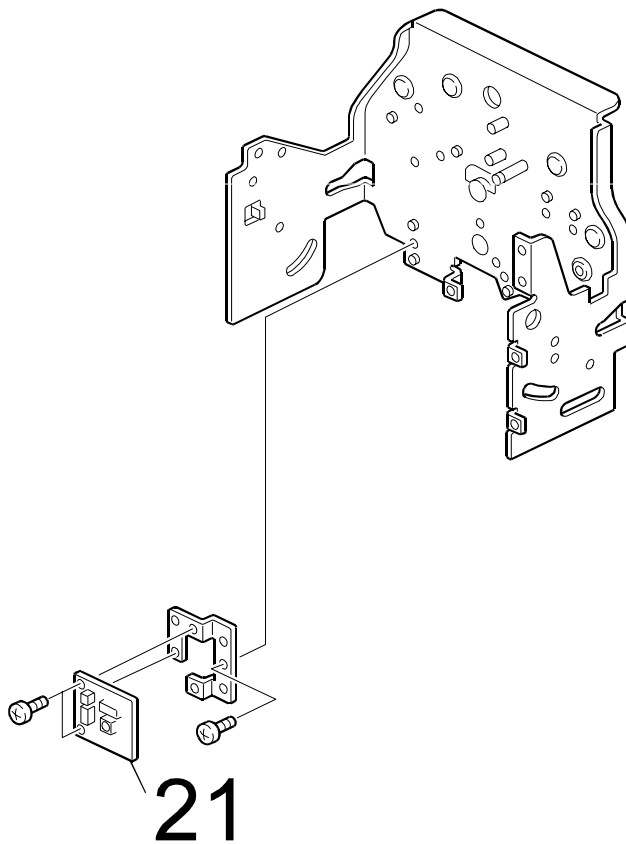
Sec	Index	Parts No.	Description	Q'ty	Note
27	1	C580 1011	Video I/F Board	1	
27	2	C613 5012	Flash Memory	1	
27	3	C249 5415	Interface Harness	1	
27	4	C249 5399	Flat Cable	1	
27	5	C249 1002	Panel Harness	1	
27	6	C613 5005	SIMM 16MB	1	
27	7	C249 5646	Plate	1	
27	8	C613 5645	Shading Plate	1	
27	9	C613 1005	Keypad PCB	1	
27	10	C249 5659	Keypad PCB Stud	1	
27	11	C613 1011	Panel	1	
27	12	C249 5654	Stand – Left	1	
27	13	C249 5655	Stand – Right	1	
27	14	C613 5297	Controller Board	1	
27	15	C613 5631	Controller Box	1	
27	16	C249 5656	Stand – Lower Right	1	
27	17	C218 3039	Flat Cable Clamp	1	
27	18	11070914	Fuse 451001.MR	1	
27	101	04513006B	Tapping Screw – M3x6		
27	102	03530080Z	Philips Trass Head Screw – M3x8		
27	103	07120030B	Hexagon nut – M3		
27	104	04514006B	Tapping Screw - 4x6		
27	105	16070663	Ferrite Core		
27	-	C613 6036	CDROM – CHN		
27	-	C613 8626	Operating Instructions – CHN		

<b>Model:</b> PRIPORT PINKGOLD/PGB4		<b>Date:</b> 27-Apr-04	<b>No:</b> M-C238-026
<b>Modified Article:</b> Ink detection board		<b>Prepared by:</b>	
<b>From:</b> Priport Service Planning Section		M. Kanomata	
<b>Classification:</b>	<input type="checkbox"/> Parts catalog correction	<input type="checkbox"/> Vendor change	<input type="checkbox"/> To meet standards
	<input type="checkbox"/> To facilitate assembly	<input checked="" type="checkbox"/> To improve reliability	( )
	<input type="checkbox"/> Part standardization	<input type="checkbox"/> Other ( )	
<b>Model Name:</b>			
PINKGOLD: Ricoh JP3000/JP3800, Gestetner 5430/5428C, RexRotary 1330, nashuatec CP430, Savin 3260DNP, Standard SD370, Lanier LDD030			
PGB4 (China only): Ricoh JP2800, Gestetner 5425C			

The Ink Detection Board has been modified to further minimize effects from static electricity.

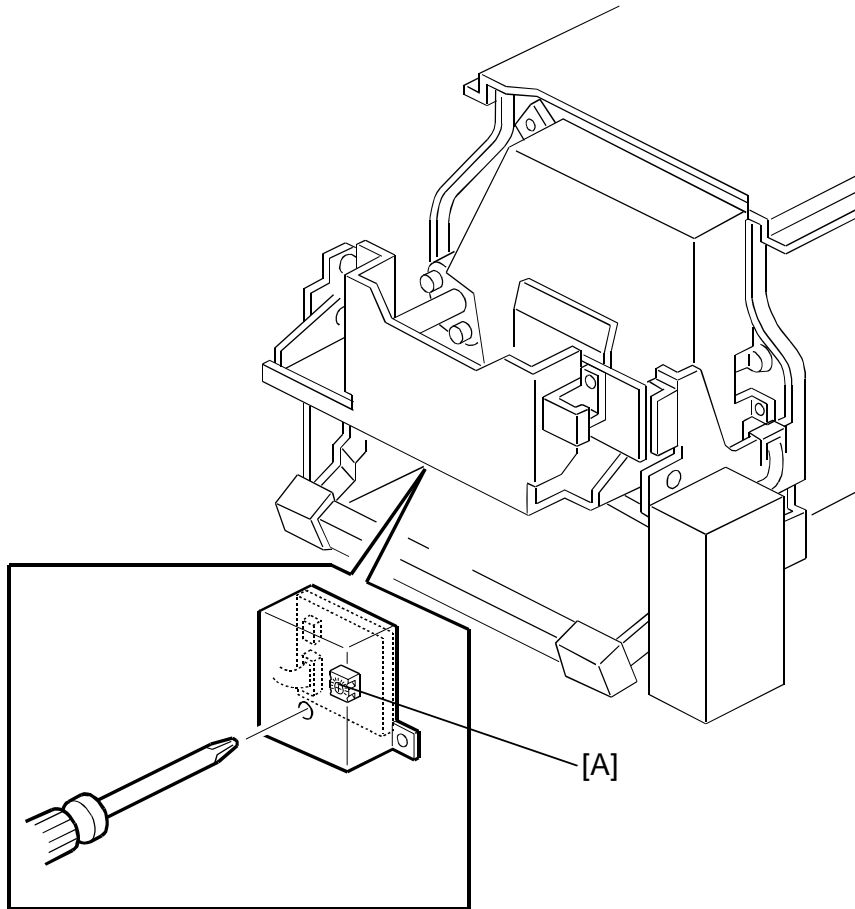
**Important:** When replacing this part, please be sure to perform the adjustment described below.

Old #	New #	Description	Qty	Int	Page	Index
C2385142	C2385145	INK BOARD	1	X/O	29	21



**SP6-40: INK DETECTION ADJUSTMENT**

**CAUTION:** Before performing this procedure, be sure to clear away the ink around the ink roller by setting SP2-10 (ink detection) to OFF, and then feeding paper until the ink reaches the end condition. After completing the following procedure, make sure to return SP2-10 to its default (ink detection ON).



1. Access SP6-40, then open the door cover.
2. Turn VR [A] on the ink detection board until the display reads **6.0u**.

**Important:**

- Adjust to **5.0u** on **PGB4 models for China**.
- When there is ink inside the drum, the machine will display “- - -”.

**Model:** PRIPORT PINKGOLD/PGB4

**Date:** 27-Apr-04

**No:** M-C238-026

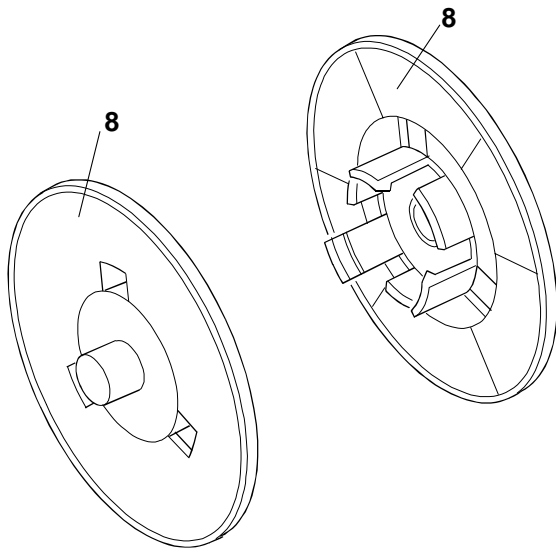
## CUT IN SERIAL NUMBERS

Model Name	V/Hz	Destination	Code	Serial Number
Standard SD370	120/60	USA	C238-11	Discontinued
Gestetner 5430	120/60	Taiwan	C238-13	
Ges 5430, Rex 1330, Nsa CP430	230/50	Europe	C238-22	
Gestetner 5430	230/50	Asia, etc.	C238-23	
Ricoh JP3800	230/50	China	C238-26	
Ricoh JP3000	230/50	Europe	C238-27	
Gestetner 5428C	230/50	China	C238-28	
Ricoh JP3000	230/50	Asia, etc.	C238-29	
Ricoh JP3000, Ges 5430, Savin 3260DNP	120/60	USA, Canada	C238-52	
Gestetner 5430, Nsa CP430	230/50	Latin America	C238-54	
Standard SD370	120/60	USA	C238-61	F0930970068
Gestetner 5430	120/60	Taiwan	C238-63	
Ges 5430, Rex 1330, Nsa CP430	230/50	Europe	C238-72	
Gestetner 5430	230/50	Asia, etc.	C238-73	
Ricoh JP3800	230/50	China	C238-76	
Ricoh JP3000	230/50	Europe	C238-77	
Gestetner 5428C	230/50	China	C238-78	
Ricoh JP3000	230/50	Asia, etc.	C238-79	
Ricoh JP3000, Ges 5430, Savin 3260DNP	120/60	USA, Canada	C238-92	
Gestetner 5430, Nsa CP430	230/50	Latin America	C238-94	
Ricoh JP2800	230/50	China	C247-76	F2430970117
Gestetner 5425C	230/50	China	C247-78	

<b>Model:</b> PRIPORT PINKGOLD/PGB4/PGP		<b>Date:</b> 7-May-04	<b>No:</b> M-C238-027
<b>Modified Article:</b> Master Flange and Flange Holder		<b>Prepared by:</b>	
<b>From:</b> Priport Service Planning Section		M. Kanomata	
<b>Classification:</b>	<input checked="" type="checkbox"/> Parts catalog correction	<input type="checkbox"/> Vendor change	<input type="checkbox"/> To meet standards
	<input type="checkbox"/> To facilitate assembly	<input type="checkbox"/> To improve reliability	( )
	<input type="checkbox"/> Part standardization	<input type="checkbox"/> Other ( )	
<b>Model Name:</b>			
PINKGOLD:	Ricoh JP3000/JP3800, Gestetner 5430/5428C, RexRotary 1330, nashuatec CP430, Savin 3260DNP, Standard SD370, Lanier LDD030		
PGB4 (China only):	Ricoh JP2800, Gestetner 5425C		
PGA3P (China only):	Ricoh JP3810P, Gestetner 5438P		
PGB4P (China only):	Ricoh JP2810P, Gestetner 5435P		

Please add the following two new part numbers, which were previously missing from the PINKGOLD (C238) Parts Catalogue. The combination tables for these parts are included below.

● **Master Flange**



Sec	Index	Parts No.	Description	Q'ty	Page
26	8	C2382244	Master Flange - A	1	65
26	8	C2382248	Master Flange - C	1	65
26	8	C2382249	Master Flange - B	1	65

**Model:** PRIPORT PINKGOLD/PGB4/PGP

**Date:** 7-May-04

**No:** M-C238-027

### Combination Table (Master Flange)

Model Name	Destination	Code	Operation Side (Front)	Non-Operation Side (Rear)
Standard SD370	USA	C238 - 11, 61	C2382244	C2382249
Gestetner 5430	Taiwan	C238 - 13, 63	C2382248	C2382244
Ges 5430, Rex 1330, Nsa CP430	Europe	C238 - 22, 72	C2382244	C2382248
Gestetner 5430	Asia, etc.	C238 - 23, 73	C2382244	C2382248
Ricoh JP3800	China	C238 - 26, 76	C2382244	C2382249
Ricoh JP3000	Europe	C238 - 27, 77	C2382248	C2382244
Gestetner 5428C	China	C238 - 28, 78	C2382249	C2382244
Ricoh JP3000	Asia, etc.	C238 - 29, 79	C2382248	C2382244
Ricoh JP3000, Ges 5430, Savin 3260DNP	USA, Canada	C238 - 52, 92	C2382248	C2382244
Gestetner 5430, Nsa CP430	Latin America	C238 - 54, 94	C2382248	C2382244
Gestetner 5438P	China	C246 - 82	C2382249	C2382244
Ricoh JP3810P	China	C246 - 96	C2382244	C2382249
Ricoh JP2800	China	C247 - 76	C2382244	C2382249
Gestetner 5425C	China	C247 - 78	C2382249	C2382244
Gestetner 5435P	China	C254 - 82	C2382249	C2382244
Ricoh JP2810P	China	C254 - 96	C2382244	C2382249

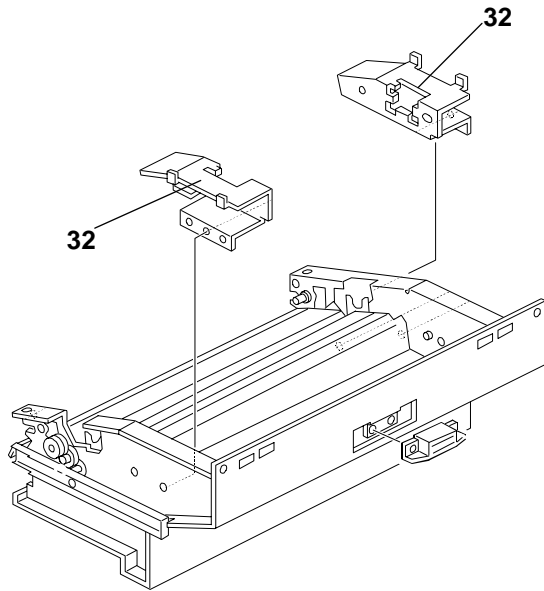


**Model:** PRIPORT PINKGOLD/PGB4/PGP

**Date:** 7-May-04

**No:** M-C238-027

● **Flange Holder**



Sec	Index	Parts No.	Description	Q'ty	Page
9	32	C2382210	Rear Flange Holder - A3 (A)	1	23
9	32	C2382211	Rear Flange Holder - A3 (B)	1	23
9	32	C2382220	Front Flange Holder - A3 (A)	1	23
9	32	C2382221	Front Flange Holder - A3 (B)	1	23
9	32	C2472210	Rear Flange Holder - B4 (A)	1	23
9	32	C2472211	Rear Flange Holder - B4 (B)	1	23
9	32	C2472220	Front Flange Holder - B4 (A)	1	23
9	32	C2472221	Front Flange Holder - B4 (B)	1	23

**Model:** PRIPORT PINKGOLD/PGB4/PGP

**Date:** 7-May-04

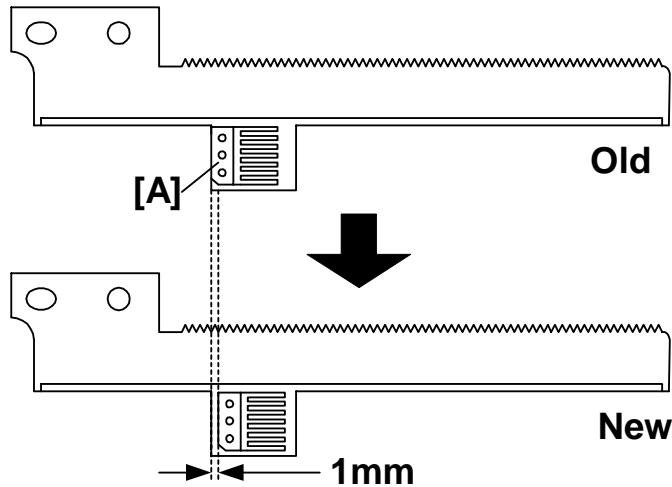
**No:** M-C238-027

### Combination Table (Flange Holder)

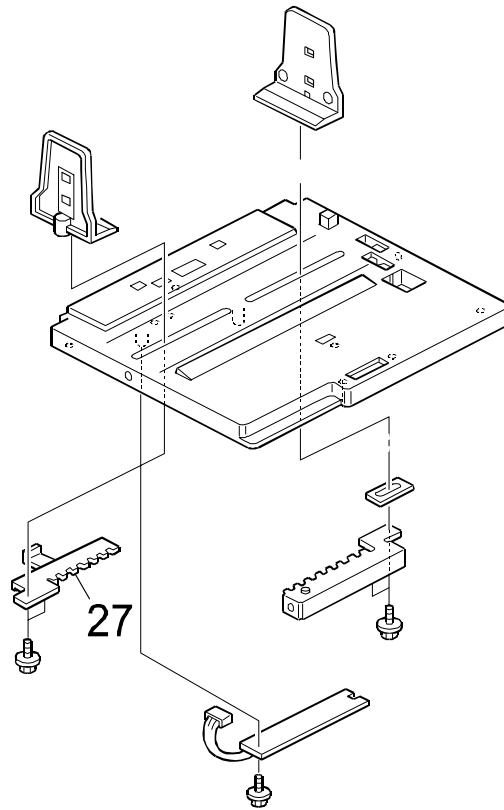
Model Name	Destination	Code	Operation Side (Front)	Non - Operation Side (Rear)
Standard SD370	USA	C238 - 11, 61	C2382220	C2382211
Gestetner 5430	Taiwan	C238 - 13, 63	C2382221	C2382210
Ges 5430, Rex 1330, Nsa CP430	Europe	C238 - 22, 72	C2382220	C2382211
Gestetner 5430	Asia, etc.	C238 - 23, 73	C2382220	C2382211
Ricoh JP3800	China	C238 - 26, 76	C2382220	C2382211
Ricoh JP3000	Europe	C238 - 27, 77	C2382221	C2382210
Gestetner 5428C	China	C238 - 28, 78	C2382221	C2382210
Ricoh JP3000	Asia, etc.	C238 - 29, 79	C2382221	C2382210
Ricoh JP3000, Ges 5430, Savin 3260DNP	USA, Canada	C238 - 52, 92	C2382221	C2382210
Gestetner 5430, Nsa CP430	Latin America	C238 - 54, 94	C2382221	C2382210
Gestetner 5438P	China	C246 - 82	C2382221	C2382210
Ricoh JP3810P	China	C246 - 96	C2382220	C2382211
Ricoh JP2800	China	C247 - 76	C2472220	C2472211
Gestetner 5425C	China	C247 - 78	C2472221	C2472210
Gestetner 5435P	China	C254 - 82	C2472221	C2472210
Ricoh JP2810P	China	C254 - 96	C2472220	C2472211

<b>Model:</b> PRIPORT PINKGOLD/PGB4/PGP	<b>Date:</b> 10-May-04	<b>No:</b> M-C238-028
<b>Modified Article:</b> Front Side Fence Rack	<b>Prepared by:</b>	
<b>From:</b> Priport Service Planning Section	M. Kanomata	
<b>Classification:</b>	<input type="checkbox"/> Parts catalog correction <input type="checkbox"/> Vendor change <input type="checkbox"/> To meet standards <input type="checkbox"/> To facilitate assembly <input checked="" type="checkbox"/> To improve reliability    (    ) <input type="checkbox"/> Part standardization <input type="checkbox"/> Other (    )	
<b>Model Name:</b>		
PINKGOLD:	Ricoh JP3000/JP3800, Gestetner 5430/5428C, RexRotary 1330, nashuatec CP430, Savin 3260DNP, Standard SD370, Lanier LDD030	
PGB4 (China only):	Ricoh JP2800, Gestetner 5425C	
PGA3P (China only):	Ricoh JP3810P, Gestetner 5438P	
PGB4P (China only):	Ricoh JP2810P, Gestetner 5435P	

The position of the actuator [A] that is attached to the front side fence rack has been changed to ensure correct contact with the paper size sensor board, and to further ensure correct paper size detection.



Old #	New #	Description	Qty	Int	Page	Index
C2382976	C2492976	Front Side Fence Rack	1	X/O	17	27

**● Illustration**

<b>Model:</b> PRIPORT PINKGOLD/PGB4/PGP	<b>Date:</b> 10-May-04	<b>No:</b> M-C238-028
---	------------------------	-----------------------

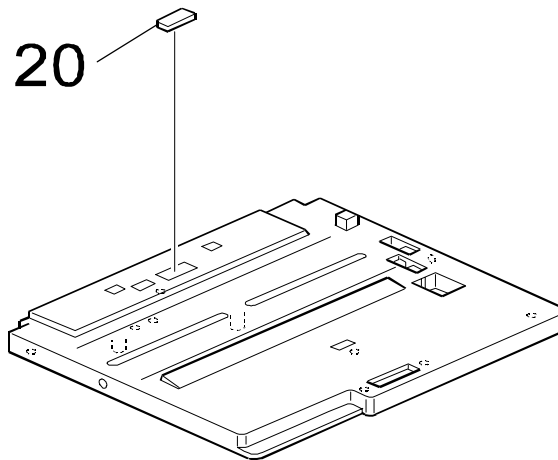
## CUT IN SERIAL NUMBERS

Model Name	V/Hz	Destination	Code	Serial Number
Standard SD370	120/60	USA	C238-11	Discontinued
Gestetner 5430	120/60	Taiwan	C238-13	
Ges 5430, Rex 1330, Nsa CP430	230/50	Europe	C238-22	
Gestetner 5430	230/50	Asia, etc.	C238-23	
Ricoh JP3800	230/50	China	C238-26	
Ricoh JP3000	230/50	Europe	C238-27	
Gestetner 5428C	230/50	China	C238-28	
Ricoh JP3000	230/50	Asia, etc.	C238-29	
Ricoh JP3000, Ges 5430, Savin 3260DNP	120/60	USA, Canada	C238-52	
Gestetner 5430, Nsa CP430	230/50	Latin America	C238-54	
Standard SD370	120/60	USA	C238-61	F0940470001
Gestetner 5430	120/60	Taiwan	C238-63	
Ges 5430, Rex 1330, Nsa CP430	230/50	Europe	C238-72	
Gestetner 5430	230/50	Asia, etc.	C238-73	
Ricoh JP3800	230/50	China	C238-76	
Ricoh JP3000	230/50	Europe	C238-77	
Gestetner 5428C	230/50	China	C238-78	
Ricoh JP3000	230/50	Asia, etc.	C238-79	
Ricoh JP3000, Ges 5430, Savin 3260DNP	120/60	USA, Canada	C238-92	
Gestetner 5430, Nsa CP430	230/50	Latin America	C238-94	
Ricoh JP2800	230/50	China	C247-76	F2440470001
Gestetner 5425C	230/50	China	C247-78	F3940470001
Gestetner 5438P	230/50	China	C246-82	
Ricoh JP3810P	230/50	China	C246-96	F4040470001
Gestetner 5435P	230/50	China	C254-82	
Ricoh JP2810P	230/50	China	C254-96	

<b>Model:</b> PRIPORT PINKGOLD/PGB4/PGP		<b>Date:</b> 10-May-04	<b>No:</b> M-C238-029
<b>Modified Article:</b> Paper Feed Tray Pad		<b>Prepared by:</b>	
<b>From:</b> Priport Service Planning Section		M. Kanomata	
<b>Classification:</b>	<input type="checkbox"/> Parts catalog correction	<input type="checkbox"/> Vendor change	<input type="checkbox"/> To meet standards
	<input type="checkbox"/> To facilitate assembly	<input checked="" type="checkbox"/> To improve reliability	( )
	<input type="checkbox"/> Part standardization	<input type="checkbox"/> Other ( )	
<b>Model Name:</b>			
PINKGOLD:	Ricoh JP3000/JP3800, Gestetner 5430/5428C, RexRotary 1330, nashuatec CP430, Savin 3260DNP, Standard SD370, Lanier LDD030		
PGB4 (China only):	Ricoh JP2800, Gestetner 5425C		
PGA3P (China only):	Ricoh JP3810P, Gestetner 5438P		
PGB4P (China only):	Ricoh JP2810P, Gestetner 5435P		

The pressure of the pad on the paper feed tray has been reduced in order to:

- Feed the paper more smoothly
- Further make sure that paper misfeeds (A jam) do not occur in the paper feed section.



Old #	New #	Description	Qty	Int	Page	Index
C2292840	C2492840	Paper Feed Tray Pad	1	X/O	17	20

**Model:** PRIPORT PINKGOLD/PGB4/PGP

**Date:** 10-May-04

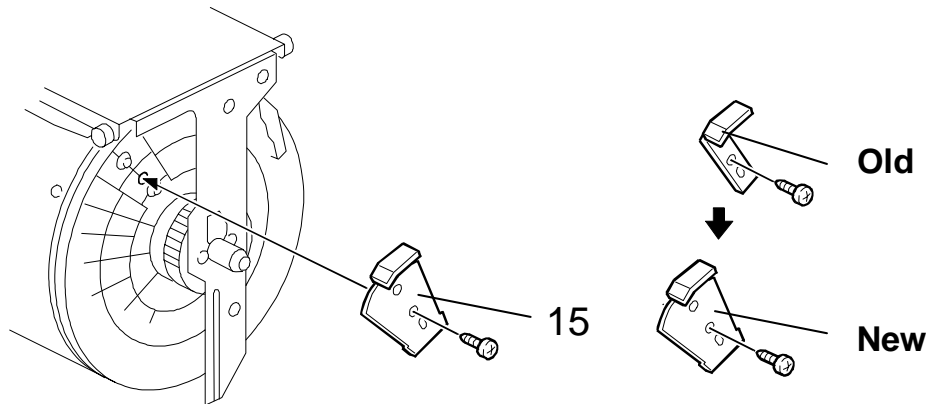
**No:** M-C238-029

## CUT IN SERIAL NUMBERS

Model Name	V/Hz	Destination	Code	Serial Number
Standard SD370	120/60	USA	C238-11	Discontinued
Gestetner 5430	120/60	Taiwan	C238-13	
Ges 5430, Rex 1330, Nsa CP430	230/50	Europe	C238-22	
Gestetner 5430	230/50	Asia, etc.	C238-23	
Ricoh JP3800	230/50	China	C238-26	
Ricoh JP3000	230/50	Europe	C238-27	
Gestetner 5428C	230/50	China	C238-28	
Ricoh JP3000	230/50	Asia, etc.	C238-29	
Ricoh JP3000, Ges 5430, Savin 3260DNP	120/60	USA, Canada	C238-52	
Gestetner 5430, Nsa CP430	230/50	Latin America	C238-54	
Standard SD370	120/60	USA	C238-61	F0940270001
Gestetner 5430	120/60	Taiwan	C238-63	
Ges 5430, Rex 1330, Nsa CP430	230/50	Europe	C238-72	
Gestetner 5430	230/50	Asia, etc.	C238-73	
Ricoh JP3800	230/50	China	C238-76	
Ricoh JP3000	230/50	Europe	C238-77	
Gestetner 5428C	230/50	China	C238-78	
Ricoh JP3000	230/50	Asia, etc.	C238-79	
Ricoh JP3000, Ges 5430, Savin 3260DNP	120/60	USA, Canada	C238-92	
Gestetner 5430, Nsa CP430	230/50	Latin America	C238-94	
Ricoh JP2800	230/50	China	C247-76	F2440270001
Gestetner 5425C	230/50	China	C247-78	F3940270001
Gestetner 5438P	230/50	China	C246-82	
Ricoh JP3810P	230/50	China	C246-96	F4040270001
Gestetner 5435P	230/50	China	C254-82	
Ricoh JP2810P	230/50	China	C254-96	

<b>Model:</b> PRIPORT PINKGOLD/PGB4/PGP	<b>Date:</b> 20-May-04	<b>No:</b> M-C238-030
<b>Modified Article:</b> Drum Position Plate	<b>Prepared by:</b>	
<b>From:</b> Priport Service Planning Section	M. Kanomata	
<b>Classification:</b>	<input type="checkbox"/> Parts catalog correction <input type="checkbox"/> Vendor change <input type="checkbox"/> To meet standards <input type="checkbox"/> To facilitate assembly <input checked="" type="checkbox"/> To improve reliability    (    ) <input type="checkbox"/> Part standardization <input type="checkbox"/> Other (    )	
<b>Model Name:</b>		
PINKGOLD: Ricoh JP3000/JP3800, Gestetner 5430/5428C, RexRotary 1330, nashuatec CP430, Savin 3260DNP, Standard SD370, Lanier LDD030 PGB4 (China only): Ricoh JP2800, Gestetner 5425C PGA3P (China only): Ricoh JP3810P, Gestetner 5438P PGB4P (China only): Ricoh JP2810P, Gestetner 5435P		

The shape of the drum position plate has been changed to further ensure it stays properly fixed to the rear flange.



Old #	New #	Description	Qty	Int	Page	Index
C2382370	C2382375	Drum Position Plate	1	X/O	33	15



**Model:** PRIPORT PINKGOLD/PGB4/PGP

**Date:** 20-May-04

**No:** M-C238-030

## CUT IN SERIAL NUMBERS

Model Name	V/Hz	Destination	Code	Serial Number
Standard SD370	120/60	USA	C238-11	Discontinued
Gestetner 5430	120/60	Taiwan	C238-13	
Ges 5430, Rex 1330, Nsa CP430	230/50	Europe	C238-22	
Gestetner 5430	230/50	Asia, etc.	C238-23	
Ricoh JP3800	230/50	China	C238-26	
Ricoh JP3000	230/50	Europe	C238-27	
Gestetner 5428C	230/50	China	C238-28	
Ricoh JP3000	230/50	Asia, etc.	C238-29	
Ricoh JP3000, Ges 5430, Savin 3260DNP	120/60	USA, Canada	C238-52	
Gestetner 5430, Nsa CP430	230/50	Latin America	C238-54	
Standard SD370	120/60	USA	C238-61	F0930970068
Gestetner 5430	120/60	Taiwan	C238-63	
Ges 5430, Rex 1330, Nsa CP430	230/50	Europe	C238-72	
Gestetner 5430	230/50	Asia, etc.	C238-73	
Ricoh JP3800	230/50	China	C238-76	
Ricoh JP3000	230/50	Europe	C238-77	
Gestetner 5428C	230/50	China	C238-78	
Ricoh JP3000	230/50	Asia, etc.	C238-79	
Ricoh JP3000, Ges 5430, Savin 3260DNP	120/60	USA, Canada	C238-92	
Gestetner 5430, Nsa CP430	230/50	Latin America	C238-94	
Ricoh JP2800	230/50	China	C247-76	F2430970117
Gestetner 5425C	230/50	China	C247-78	
Gestetner 5438P	230/50	China	C246-82	F3931270001
Ricoh JP3810P	230/50	China	C246-96	
Gestetner 5435P	230/50	China	C254-82	F4031270001
Ricoh JP2810P	230/50	China	C254-96	

<b>Model:</b> PRIPORT PINKGOLD/PGB4/PGP		<b>Date:</b> 13-Sep-04	<b>No:</b> M-C238-031
<b>Modified Article:</b> Paper delivery unit		<b>Prepared by:</b>	
<b>From:</b> Priport Service Planning Section		M. Kanomata	
<b>Classification:</b> <input type="checkbox"/> Parts catalog correction <input type="checkbox"/> Vendor change <input type="checkbox"/> To meet standards <input type="checkbox"/> To facilitate assembly <input checked="" type="checkbox"/> To improve reliability                   (        ) <input type="checkbox"/> Part standardization <input type="checkbox"/> Other (        )			
<b>Model Name:</b> PINKGOLD: Ricoh JP3000/JP3800, Gestetner 5430/5428C, RexRotary 1330, nashuatec CP430, Savin 3260DNP, Standard SD370, Lanier LDD030 PGB4 (China only): Ricoh JP2800, Gestetner 5425C PGA3P (China only): Ricoh JP3810P, Gestetner 5438P PGB4P (China only): Ricoh JP2810P, Gestetner 5435P			

**Change:** Shape of the air knife fan, fan bracket, delivery belt.

**Reason:** To ensure that C-jams (paper delivery jams) do not occur when many sheets are printed out continuously.

**Note:** For machines that were produced before the cut-in serial numbers below:

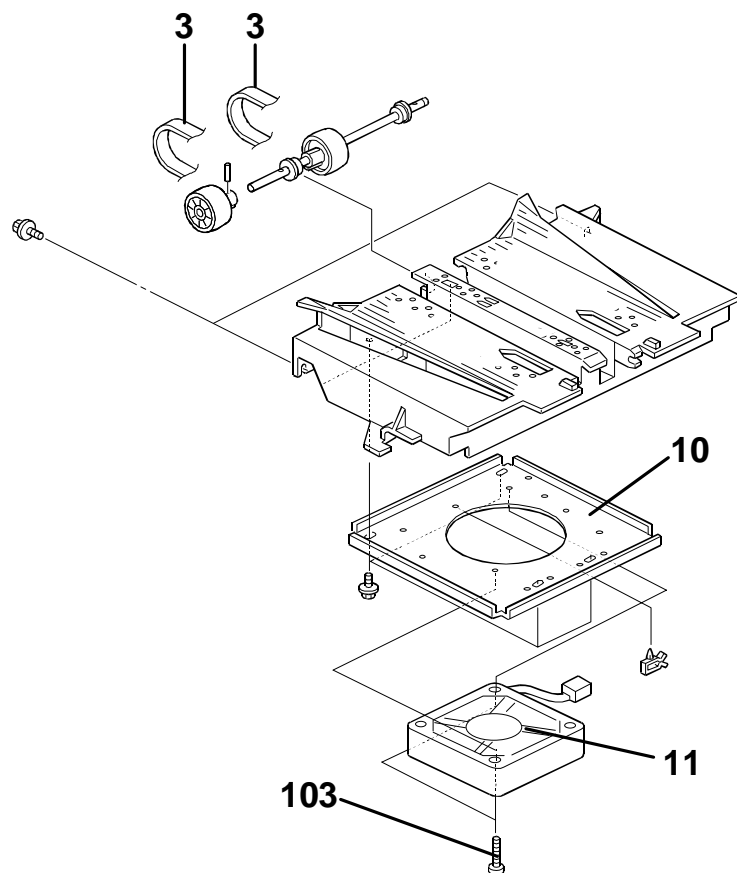
- 1) Replace the parts with the modified ones listed in this MB, **OR**
- 2) Install the metal wing set (P/N: C2389002) shown in **RTB #RC238013**.

**China models (C238-76, 78, C246-82, 96, C247-76, 78, C254-82, 96):**

Old #	New #	Description	Qty	Int	Page	Index
C2383803	C2493805	Paper delivery unit	1	X/O	37	*
C2383852	C2493852	Fan bracket	1	X/O as a set	37	10
C2493874	C2493875	Delivery belt - 478	2		37	3
C2315880	C2495880	Air knife fan	1		37	11
-	03540300B	Screw - M3x30	2		37	103
04514014B	-	Tapping Screw - M4x14	3->0	-	37	103
C2383858	-	Air reduction sheet	1->0	-	37	18

**All Other Models:**

Old #	New #	Description	Qty	Int	Page	Index
C2493800	C2493805	Paper delivery unit	1	X/O	37	*
C2383852	C2493852	Fan bracket	1	X/O as a set	37	10
C2493874	C2493875	Delivery belt - 478	2		37	3
C2315880	C2495880	Air knife fan	1		37	11
-	03540300B	Screw - M3x30	2		37	103
04514014B	-	Tapping Screw - M4x14	3->0	-	37	103



**Model:** PRIPORT PINKGOLD/PGB4/PGP

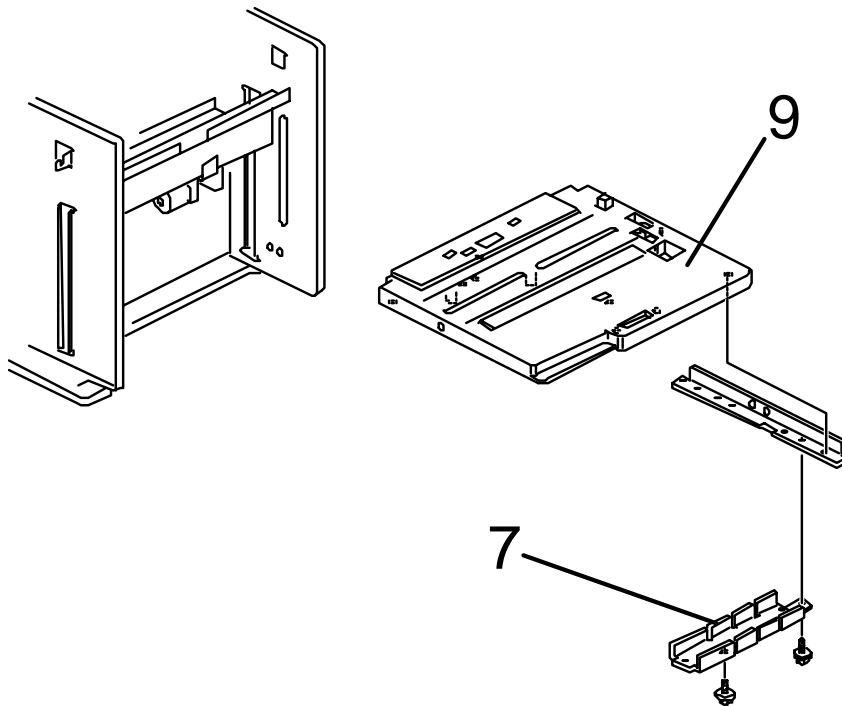
**Date:** 13-Sep-04

**No:** M-C238-031

## CUT IN SERIAL NUMBERS

Model Name	V/Hz	Destination	Code	Serial Number
Standard SD370	120/60	USA	C238-11	Discontinued
Gestetner 5430	120/60	Taiwan	C238-13	
Ges 5430, Rex 1330, Nsa CP430	230/50	Europe	C238-22	
Gestetner 5430	230/50	Asia, etc.	C238-23	
Ricoh JP3800	230/50	China	C238-26	
Ricoh JP3000	230/50	Europe	C238-27	
Gestetner 5428C	230/50	China	C238-28	
Ricoh JP3000	230/50	Asia, etc.	C238-29	
Ricoh JP3000, Ges 5430, Savin 3260DNP	120/60	USA, Canada	C238-52	
Gestetner 5430, Nsa CP430	230/50	Latin America	C238-54	
Standard SD370	120/60	USA	C238-61	F0940670001
Gestetner 5430	120/60	Taiwan	C238-63	
Ges 5430, Rex 1330, Nsa CP430	230/50	Europe	C238-72	
Gestetner 5430	230/50	Asia, etc.	C238-73	
Ricoh JP3800	230/50	China	C238-76	
Ricoh JP3000	230/50	Europe	C238-77	
Gestetner 5428C	230/50	China	C238-78	
Ricoh JP3000	230/50	Asia, etc.	C238-79	
Ricoh JP3000, Ges 5430, Savin 3260DNP	120/60	USA, Canada	C238-92	
Gestetner 5430, Nsa CP430	230/50	Latin America	C238-94	
Ricoh JP2800	230/50	China	C247-76	F2440670001
Gestetner 5425C	230/50	China	C247-78	F3940670001
Gestetner 5438P	230/50	China	C246-82	
Ricoh JP3810P	230/50	China	C246-96	F4040670001
Gestetner 5435P	230/50	China	C254-82	
Ricoh JP2810P	230/50	China	C254-96	

<b>Model:</b> PRIPORT PINKGOLD/PGB4/PGP	<b>Date:</b> 15-Oct-04	<b>No:</b> M-C238-032
<b>Modified Article:</b> Paper feed tray and Sensor cover	<b>Prepared by:</b>	
<b>From:</b> Priport Service Planning Section	M. Kanomata	
<b>Classification:</b>	<input type="checkbox"/> Parts catalog correction <input type="checkbox"/> Vendor change <input type="checkbox"/> To meet standards <input type="checkbox"/> To facilitate assembly <input type="checkbox"/> To improve reliability    (    ) <input checked="" type="checkbox"/> Part standardization <input type="checkbox"/> Other (    )	
<b>Model Name:</b>		
PINKGOLD:	Ricoh JP3000/JP3800, Gestetner 5430/5428C, RexRotary 1330, nashuatec CP430, Savin 3260DNP, Standard SD370, Lanier LDD030	
PGB4 (China only):	Ricoh JP2800, Gestetner 5425C	
PGA3P (China only):	Ricoh JP3810P, Gestetner 5438P	
PGB4P (China only):	Ricoh JP2810P, Gestetner 5435P	



**Change:** Parts changed to HP4 parts.

**Reason:** Parts standardization.

**Important:** When you install the new parts for the first time, install them **together as a set**.

<b>Model:</b> PRIPORT PINKGOLD/PGB4/PGP	<b>Date:</b> 15-Oct-04	<b>No:</b> M-C238-032
---	------------------------	-----------------------

### PINKGOLD Parts Catalog

Old #	New #	Description	Qty	Int	Page	Index
C2382949	C2492949	Paper feed tray	1	X/O as a set	17	9
C2382957	C2492957	Sensor cover	1		17	7

### PGB4 (Use PINKGOLD Parts Catalog)

Old #	New #	Description	Qty	Int	Page	Index
C2382949	C2492949	Paper feed tray	1	X/O as a set	17	9
C2382957	C2492957	Sensor cover	1		17	7

### PGA3P (Use PINKGOLD Parts Catalog)

Old #	New #	Description	Qty	Int	Page	Index
C2382949	C2492949	Paper feed tray	1	X/O as a set	17	9
C2382957	C2492957	Sensor cover	1		17	7

### PGB4P (Use PINKGOLD Parts Catalog)

Old #	New #	Description	Qty	Int	Page	Index
C2382949	C2492949	Paper feed tray	1	X/O as a set	17	9
C2382957	C2492957	Sensor cover	1		17	7

- NOTE:**
- For parts that are common to all four models, refer to the PINKGOLD parts catalog.
  - The parts unique to the PGB4, PGA3P and PGB4P were announced in MB #MC238-002 and #MC238-025.
  - On the PGA3P and PGB4P, the new paper feed tray and sensor cover were used from the beginning of mass-production.

<b>Model:</b> PRIPORT PINKGOLD/PGB4/PGP	<b>Date:</b> 15-Oct-04	<b>No:</b> M-C238-032
---	------------------------	-----------------------

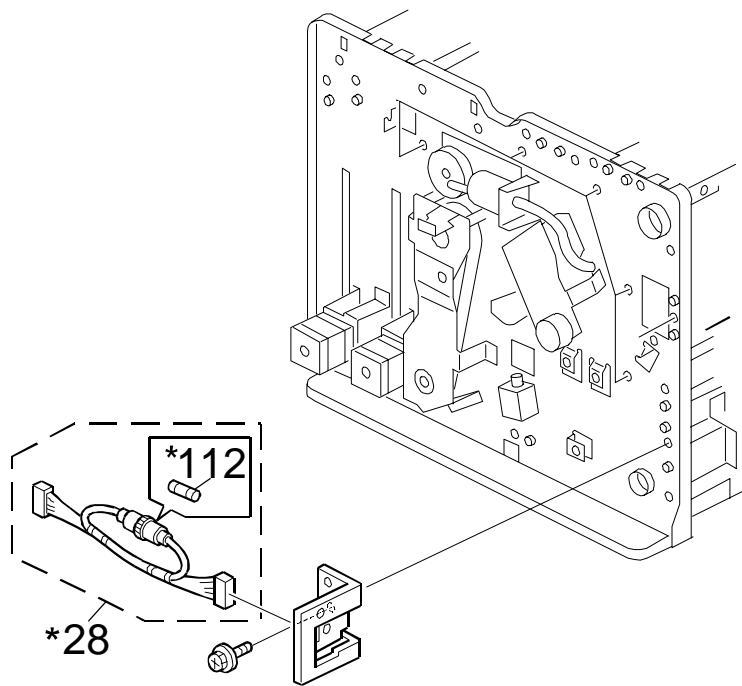
## CUT IN SERIAL NUMBERS

Model Name	V/Hz	Destination	Code	Serial Number
Standard SD370	120/60	USA	C238-11	Discontinued
Gestetner 5430	120/60	Taiwan	C238-13	
Ges 5430, Rex 1330, Nsa CP430	230/50	Europe	C238-22	
Gestetner 5430	230/50	Asia, etc.	C238-23	
Ricoh JP3800	230/50	China	C238-26	
Ricoh JP3000	230/50	Europe	C238-27	
Gestetner 5428C	230/50	China	C238-28	
Ricoh JP3000	230/50	Asia, etc.	C238-29	
Ricoh JP3000, Ges 5430, Savin 3260DNP	120/60	USA, Canada	C238-52	
Gestetner 5430, Nsa CP430	230/50	Latin America	C238-54	
Standard SD370	120/60	USA	C238-61	F0930370012
Gestetner 5430	120/60	Taiwan	C238-63	
Ges 5430, Rex 1330, Nsa CP430	230/50	Europe	C238-72	
Gestetner 5430	230/50	Asia, etc.	C238-73	
Ricoh JP3800	230/50	China	C238-76	
Ricoh JP3000	230/50	Europe	C238-77	
Gestetner 5428C	230/50	China	C238-78	
Ricoh JP3000	230/50	Asia, etc.	C238-79	
Ricoh JP3000, Ges 5430, Savin 3260DNP	120/60	USA, Canada	C238-92	
Gestetner 5430, Nsa CP430	230/50	Latin America	C238-94	
Ricoh JP2800	230/50	China	C247-76	F2430370077
Gestetner 5425C	230/50	China	C247-78	
Gestetner 5438P	230/50	China	C246-82	F3931270001
Ricoh JP3810P	230/50	China	C246-96	
Gestetner 5435P	230/50	China	C254-82	F4031270001
Ricoh JP2810P	230/50	China	C254-96	

<b>Model:</b> PRIPORT PINKGOLD/PGB4/PGP	<b>Date:</b> 15-Nov-04	<b>No:</b> M-C238-033
<b>Modified Article:</b> RELAY HARNESS	<b>Prepared by:</b>	
<b>From:</b> Priport Service Planning Section	M. Kanomata	
<b>Classification:</b>	<input type="checkbox"/> Parts catalog correction <input type="checkbox"/> Vendor change <input type="checkbox"/> To meet standards <input type="checkbox"/> To facilitate assembly <input checked="" type="checkbox"/> To improve reliability    (    ) <input type="checkbox"/> Part standardization <input type="checkbox"/> Other (    )	
<b>Model Name:</b>		
PINKGOLD:	Ricoh JP3000/JP3800, Gestetner 5430/5428C, RexRotary 1330, nashuatec CP430, Savin 3260DNP, Standard SD370, Lanier LDD030	
PGB4 (China only):	Ricoh JP2800, Gestetner 5425C	
PGA3P (China only):	Ricoh JP3810P, Gestetner 5438P	
PGB4P (China only):	Ricoh JP2810P, Gestetner 5435P	

The following have been newly added to further protect the MPU board from unexpected electric surge.

**NOTE:** Be sure to attach the relay harness when installing the Tape Marker option (Installation Procedure on page 3).





<b>Model:</b> PRIPORT PINKGOLD/PGB4/PGP	<b>Date:</b> 15-Nov-04	<b>No:</b> M-C238-033
---	------------------------	-----------------------

### PINKGOLD Parts Catalog

Old #	New #	Description	Qty	Int	Page	Index
	C2565250	Relay Harness	1	-	47	28*
	11070391	Fuse - 5A, 125V	1	-	47	112*

\*: New index

### PGB4 (Use PINKGOLD Parts Catalog)

Old #	New #	Description	Qty	Int	Page	Index
	C2565250	Relay Harness	1	-	47	28*
	11070391	Fuse - 5A, 125V	1	-	47	112*

\*: New index

### PGA3P (Use PINKGOLD Parts Catalog)

Old #	New #	Description	Qty	Int	Page	Index
	C2565250	Relay Harness	1	-	47	28*
	11070391	Fuse - 5A, 125V	1	-	47	112*

\*: New index

### PGB4P (Use PINKGOLD Parts Catalog)

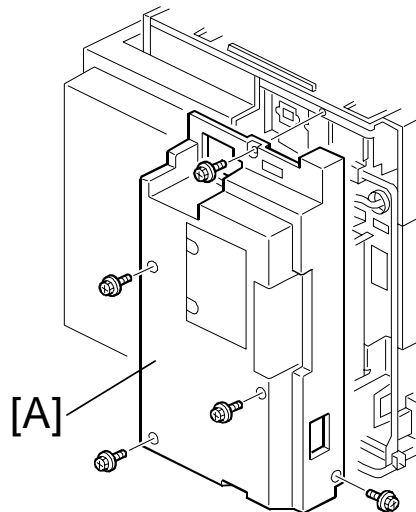
Old #	New #	Description	Qty	Int	Page	Index
	C2565250	Relay Harness	1	-	47	28*
	11070391	Fuse - 5A, 125V	1	-	47	112*

\*: New index

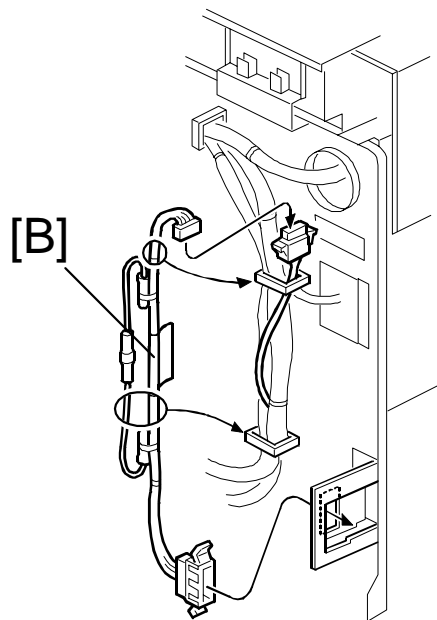
- NOTE:**
- For parts that are common to all four models, refer to the PINKGOLD parts catalog.
  - The parts unique to the PGB4, PGA3P and PGB4P were announced in MB #MC238-002 and #MC238-025.

**Installation Procedure**

1. Turn off the main switch and disconnect the power plug.
2. Remove the rear cover [A] (⌀ x 5).



3. Install the relay harness [B] (2 clamps).



4. Reattach the rear cover [A] (⌀ x 5).

<b>Model:</b> PRIPORT PINKGOLD/PGB4/PGP	<b>Date:</b> 15-Nov-04	<b>No:</b> M-C238-033
---	------------------------	-----------------------

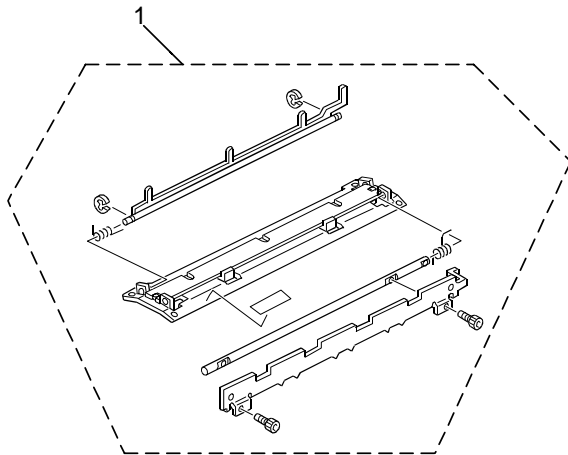
## CUT IN SERIAL NUMBERS

Model Name	V/Hz	Destination	Code	Serial Number
Standard SD370	120/60	USA	C238-11	Discontinued
Gestetner 5430	120/60	Taiwan	C238-13	
Ges 5430, Rex 1330, Nsa CP430	230/50	Europe	C238-22	
Gestetner 5430	230/50	Asia, etc.	C238-23	
Ricoh JP3800	230/50	China	C238-26	
Ricoh JP3000	230/50	Europe	C238-27	
Gestetner 5428C	230/50	China	C238-28	
Ricoh JP3000	230/50	Asia, etc.	C238-29	
Ricoh JP3000, Ges 5430, Savin 3260DNP	120/60	USA, Canada	C238-52	
Gestetner 5430, Nsa CP430	230/50	Latin America	C238-54	
Standard SD370	120/60	USA	C238-61	F0940770001
Gestetner 5430	120/60	Taiwan	C238-63	
Ges 5430, Rex 1330, Nsa CP430	230/50	Europe	C238-72	
Gestetner 5430	230/50	Asia, etc.	C238-73	
Ricoh JP3800	230/50	China	C238-76	
Ricoh JP3000	230/50	Europe	C238-77	
Gestetner 5428C	230/50	China	C238-78	
Ricoh JP3000	230/50	Asia, etc.	C238-79	
Ricoh JP3000, Ges 5430, Savin 3260DNP	120/60	USA, Canada	C238-92	
Gestetner 5430, Nsa CP430	230/50	Latin America	C238-94	
Ricoh JP2800	230/50	China	C247-76	F2440770001
Gestetner 5425C	230/50	China	C247-78	
Gestetner 5438P	230/50	China	C246-82	F3940770001
Ricoh JP3810P	230/50	China	C246-96	
Gestetner 5435P	230/50	China	C254-82	F4040670001
Ricoh JP2810P	230/50	China	C254-96	

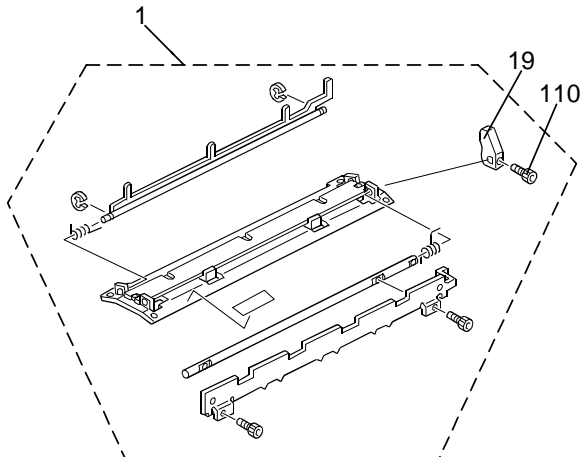
<b>Model:</b> PRIPORT PINKGOLD/PGB4/PGP	<b>Date:</b> 15-Nov-04	<b>No:</b> M-C238-034
<b>Modified Article:</b> Clamper Ass' y	<b>Prepared by:</b>	
<b>From:</b> Priport Service Planning Section	M. Kanomata	
<b>Classification:</b>	<input checked="" type="checkbox"/> Parts catalog correction <input type="checkbox"/> Vendor change <input type="checkbox"/> To meet standards <input type="checkbox"/> To facilitate assembly <input type="checkbox"/> To improve reliability    (    ) <input type="checkbox"/> Part standardization <input type="checkbox"/> Other (    )	
<b>Model Name:</b>		
PINKGOLD: Ricoh JP3000/JP3800, Gestetner 5430/5428C, RexRotary 1330, nashuatec CP430, Savin 3260DNP, Standard SD370, Lanier LDD030 PGB4 (China only): Ricoh JP2800, Gestetner 5425C PGA3P (China only): Ricoh JP3810P, Gestetner 5438P PGB4P (China only): Ricoh JP2810P, Gestetner 5435P		

The clamper assembly has been changed to include the Clamper Cam (#19 below) and Hexagonal Set Screw (#110 below) to further facilitate servicing in the field.

Old illustration:



New illustration:



**Model:** PRIPORT PINKGOLD/PGB4/PGP**Date:** 15-Nov-04**No:** M-C238-034**PINKGOLD Parts Catalog**

Old #	New #	Description	Qty	Int	Page	Index
C2382401	C2382305	Clamper Ass' y	1	-	33	1

**PGB4 (Use PINKGOLD Parts Catalog)**

Old #	New #	Description	Qty	Int	Page	Index
C2382401	C2382305	Clamper Ass' y	1	-	33	1

**PGA3P (Use PINKGOLD Parts Catalog)**

Old #	New #	Description	Qty	Int	Page	Index
C2382401	C2382305	Clamper Ass' y	1	-	33	1

**PGB4P (Use PINKGOLD Parts Catalog)**

Old #	New #	Description	Qty	Int	Page	Index
C2382401	C2382305	Clamper Ass' y	1	-	33	1

- NOTE:**
- For parts that are common to all four models, refer to the PINKGOLD parts catalog.
  - The parts unique to the PGB4, PGA3P and PGB4P were announced in MB #MC238-002 and #MC238-025.

**Model:** PRIPORT PINKGOLD/PGB4/PGP

**Date:** 15-Nov-04

**No:** M-C238-034

## CUT IN SERIAL NUMBERS

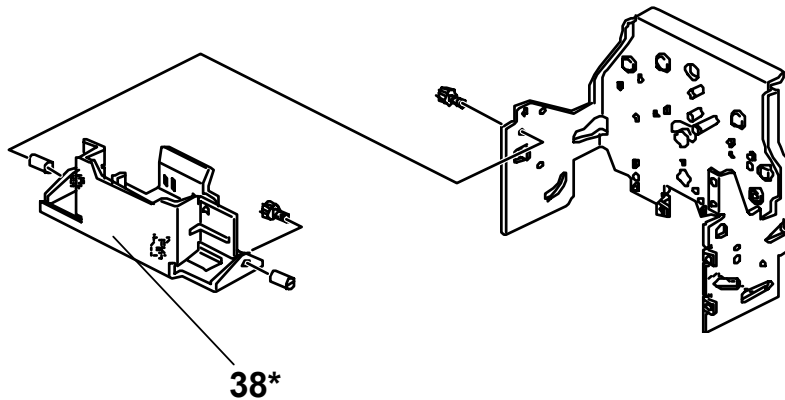
Model Name	V/Hz	Destination	Code	Serial Number
Standard SD370	120/60	USA	C238-11	-
Gestetner 5430	120/60	Taiwan	C238-13	-
Ges 5430, Rex 1330, Nsa CP430	230/50	Europe	C238-22	-
Gestetner 5430	230/50	Asia, etc.	C238-23	-
Ricoh JP3800	230/50	China	C238-26	-
Ricoh JP3000	230/50	Europe	C238-27	-
Gestetner 5428C	230/50	China	C238-28	-
Ricoh JP3000	230/50	Asia, etc.	C238-29	-
Ricoh JP3000, Ges 5430, Savin 3260DNP	120/60	USA, Canada	C238-52	-
Gestetner 5430, Nsa CP430	230/50	Latin America	C238-54	-
Standard SD370	120/60	USA	C238-61	-
Gestetner 5430	120/60	Taiwan	C238-63	-
Ges 5430, Rex 1330, Nsa CP430	230/50	Europe	C238-72	-
Gestetner 5430	230/50	Asia, etc.	C238-73	-
Ricoh JP3800	230/50	China	C238-76	-
Ricoh JP3000	230/50	Europe	C238-77	-
Gestetner 5428C	230/50	China	C238-78	-
Ricoh JP3000	230/50	Asia, etc.	C238-79	-
Ricoh JP3000, Ges 5430, Savin 3260DNP	120/60	USA, Canada	C238-92	-
Gestetner 5430, Nsa CP430	230/50	Latin America	C238-94	-
Ricoh JP2800	230/50	China	C247-76	-
Gestetner 5425C	230/50	China	C247-78	-
Gestetner 5438P	230/50	China	C246-82	-
Ricoh JP3810P	230/50	China	C246-96	-
Gestetner 5435P	230/50	China	C254-82	-
Ricoh JP2810P	230/50	China	C254-96	-

<b>Model:</b> PRIPORT PINKGOLD/PGB4/PGP		<b>Date:</b> 13-Dec-04	<b>No:</b> M-C238-035
<b>Modified Article:</b> Ink Holder		<b>Prepared by:</b>	
<b>From:</b> Priport Service Planning Section		M. Kanomata	
<b>Classification:</b> <input checked="" type="checkbox"/> Parts catalog correction <input type="checkbox"/> Vendor change <input type="checkbox"/> To meet standards <input type="checkbox"/> To facilitate assembly <input type="checkbox"/> To improve reliability         ( ) <input type="checkbox"/> Part standardization <input type="checkbox"/> Other ( )			
<b>Model Name:</b> PINKGOLD: Ricoh JP3000/JP3800, Gestetner 5430/5428C, RexRotary 1330, nashuatec CP430, Savin 3260DNP, Standard SD370, Lanier LDD030 PGB4 (China only): Ricoh JP2800, Gestetner 5425C PGA3P (China only): Ricoh JP3810P, Gestetner 5438P PGB4P (China only): Ricoh JP2810P, Gestetner 5435P			

Sec	Index	Parts No.	Description	Q'ty	Page
12	38	C2382655	Ink Holder - B	1	29
12	38	C2382656	Ink Holder - C	1	29
12	38	C2382657	Ink Holder - A	1	29
12	38	C2382658	Ink Holder - D	1	29
12	38	C2462561	HOLDER:INK CARTRIDGE: 600:BLACK	1	29
12	38	C6082561	Ink Holder - Color	1	29

**Change:** P/N were added.

**Reason:** These P/N were missing from the Parts Catalogue.



**Model:** PRIPORT PINKGOLD/PGB4/PGP

**Date:** 13-Dec-04

**No:** M-C238-035

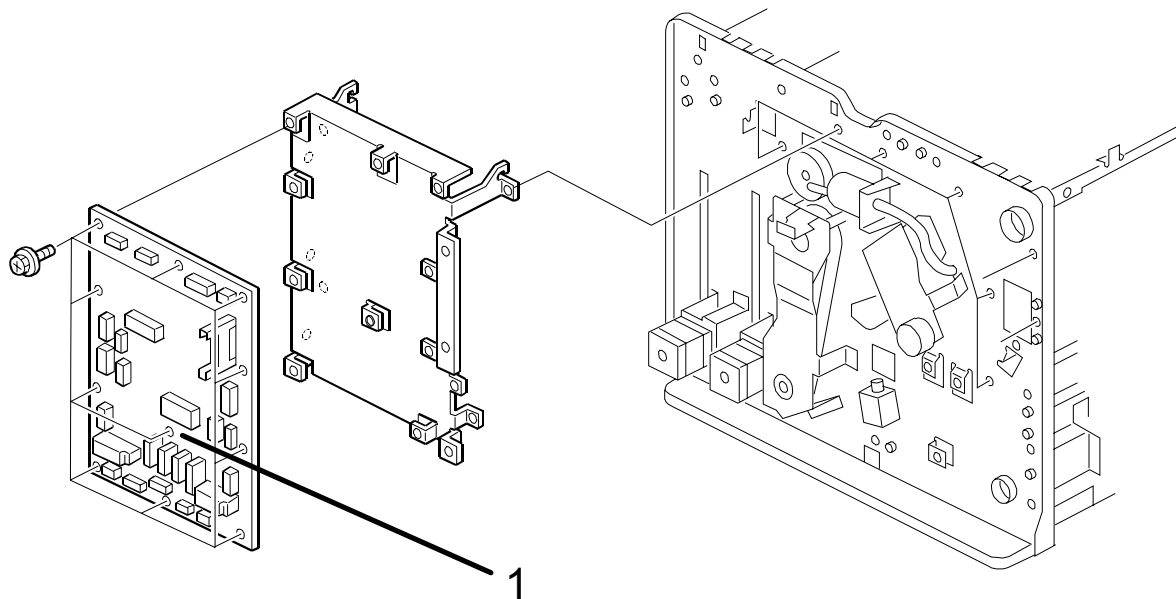
## Combination Table

Product Name	Destination	Code	Parts Number
Standard SD370	USA	C238 - 11, 61	C2382655
Gestetner 5430	Taiwan	C238 - 13, 63	C2382656
Ges 5430, Rex 1330, Nsa CP430	Europe	C238 - 22, 72	C2382657
Gestetner 5430	Asia, etc.	C238 - 23, 73	C2382657
Ricoh JP3800	China	C238 - 26, 76	C2382655
Ricoh JP3000	Europe	C238 - 27, 77	C2382656
Gestetner 5428C	China	C238 - 28, 78	C2382658
Ricoh JP3000	Asia, etc.	C238 - 29, 79	C2382656
Ricoh JP3000, Ges 5430, Savin 3260DNP	USA, Canada	C238 - 52, 92	C2382626
Gestetner 5430, Nsa CP430	Latin America	C238 - 54, 94	C2382656
Gestetner 5438P	China	C246 - 82	C2462561
Ricoh JP3810P	China	C246 - 96	C2462561
Ricoh JP2800	China	C247 - 76	C2382655
Gestetner 5425C	China	C247 - 78	C2382658
Gestetner 5435P	China	C254 - 82	C2462561
Ricoh JP2810P	China	C254 - 96	C2462561
Color drum type 30 (L)	World generic	C608 - 58, 59	C6082561
Color drum type 30 (M)	China	C617 - 58	C6082561
Black drum type 30 (S)	World generic	C609 - 18, 19	C2382656
Black drum type 30 (S)	China	C609 - 35, 36	C2382658
Black drum type 30 (S)	Asia, etc	C609 - 46, 47	C2382657
Black drum type 30 (S)	USA, etc	C609 - 56, 57	C2382655



<b>Model:</b> PRIPORT PINKGOLD/PGB4/PGP	<b>Date:</b> 28-Jan-05	<b>No:</b> M-C238-036
<b>Modified Article:</b> MPU Borad	<b>Prepared by:</b>	
<b>From:</b> Priport Service Planning Section	M. Kanomata	
<b>Classification:</b>	<input type="checkbox"/> Parts catalog correction <input type="checkbox"/> Vendor change <input type="checkbox"/> To meet standards <input type="checkbox"/> To facilitate assembly <input type="checkbox"/> To improve reliability    (    ) <input checked="" type="checkbox"/> Part standardization <input type="checkbox"/> Other (    )	
<b>Model Name:</b>		
PINKGOLD:	Ricoh JP3000/JP3800, Gestetner 5430/5428C, RexRotary 1330, nashuatec CP430, Savin 3260DNP, Standard SD370, Lanier LDD030	
PGB4 (China only):	Ricoh JP2800, Gestetner 5425C	
PGA3P (China only):	Ricoh JP3810P, Gestetner 5438P	
PGB4P (China only):	Ricoh JP2810P, Gestetner 5435P	

**Change/Reason:** Parts standardization with the PINKGOLD and PGB4 domestic (Japan) models.



**Model:** PRIPORT PINKGOLD/PGB4/PGP**Date:** 28-Jan-05**No:** M-C238-036**PINKGOLD Parts Catalog**

Old #	New #	Description	Qty	Int	Page	Index
C2385100	C2385105	MPU Board	1	O/O	47	1

**PGB4 (Use PINKGOLD Parts Catalog)**

Old #	New #	Description	Qty	Int	Page	Index
C2475100	C2475105	MPU Board - B4	1	O/O	47	1

- NOTE:**
- For parts that are common to all four models, refer to the PINKGOLD parts catalog.
  - The parts unique to the PGB4 were announced in MB #MC238-002.

<b>Model:</b> PRIPORT PINKGOLD/PGB4/PGP	<b>Date:</b> 28-Jan-05	<b>No:</b> M-C238-036
---	------------------------	-----------------------

## CUT IN SERIAL NUMBERS

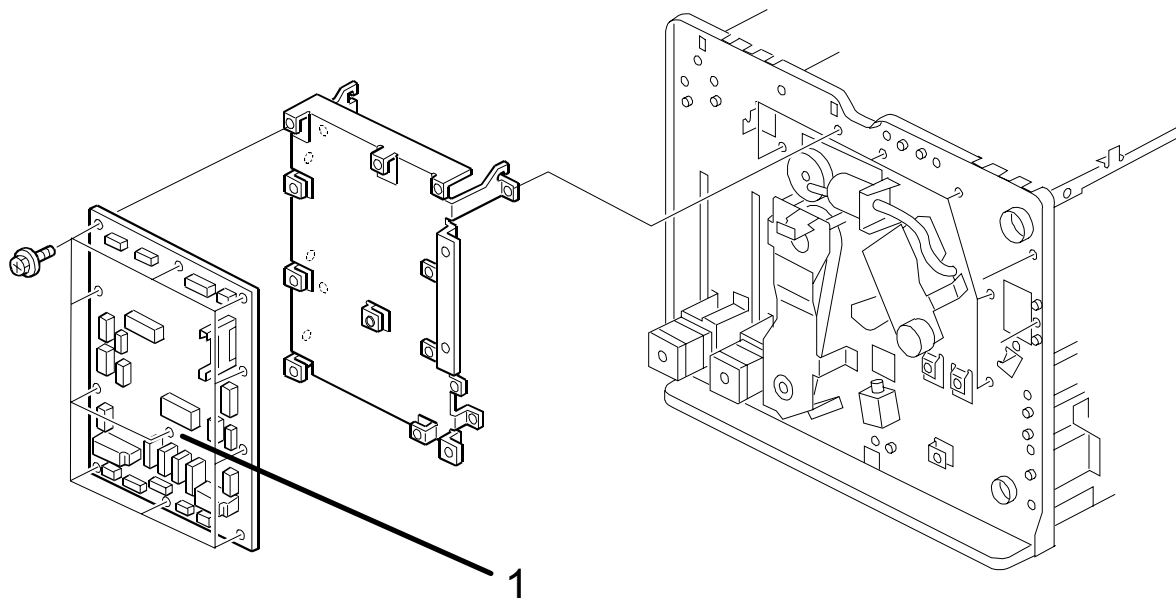
Model Name	V/Hz	Destination	Code	Serial Number
Standard SD370	120/60	USA	C238-11	Discontinued
Gestetner 5430	120/60	Taiwan	C238-13	
Ges 5430, Rex 1330, Nsa CP430	230/50	Europe	C238-22	
Gestetner 5430	230/50	Asia, etc.	C238-23	
Ricoh JP3800	230/50	China	C238-26	
Ricoh JP3000	230/50	Europe	C238-27	
Gestetner 5428C	230/50	China	C238-28	
Ricoh JP3000	230/50	Asia, etc.	C238-29	
Ricoh JP3000, Ges 5430, Savin 3260DNP	120/60	USA, Canada	C238-52	
Gestetner 5430, Nsa CP430	230/50	Latin America	C238-54	
Standard SD370	120/60	USA	C238-61	F0941070021
Gestetner 5430	120/60	Taiwan	C238-63	
Ges 5430, Rex 1330, Nsa CP430	230/50	Europe	C238-72	
Gestetner 5430	230/50	Asia, etc.	C238-73	
Ricoh JP3800	230/50	China	C238-76	
Ricoh JP3000	230/50	Europe	C238-77	
Gestetner 5428C	230/50	China	C238-78	
Ricoh JP3000	230/50	Asia, etc.	C238-79	
Ricoh JP3000, Ges 5430, Savin 3260DNP	120/60	USA, Canada	C238-92	
Gestetner 5430, Nsa CP430	230/50	Latin America	C238-94	
Ricoh JP2800	230/50	China	C247-76	F2441070001
Gestetner 5425C	230/50	China	C247-78	
Gestetner 5438P	230/50	China	C246-82	-
Ricoh JP3810P	230/50	China	C246-96	
Gestetner 5435P	230/50	China	C254-82	
Ricoh JP2810P	230/50	China	C254-96	-

<b>Model:</b> PRIPORT PINKGOLD/PGB4/PGP		<b>Date:</b> 28-Jan-05	<b>No:</b> M-C238-037
<b>Modified Article:</b> MPU Board		<b>Prepared by:</b>	
<b>From:</b> Priport Service Planning Section		M. Kanomata	
<b>Classification:</b>	<input type="checkbox"/> Parts catalog correction	<input type="checkbox"/> Vendor change	<input type="checkbox"/> To meet standards
	<input type="checkbox"/> To facilitate assembly	<input checked="" type="checkbox"/> To improve reliability	( )
	<input type="checkbox"/> Part standardization	<input type="checkbox"/> Other ( )	
<b>Model Name:</b>			
PINKGOLD:	Ricoh JP3000/JP3800, Gestetner 5430/5428C, RexRotary 1330, nashuatec CP430, Savin 3260DNP, Standard SD370, Lanier LDD030		
PGB4 (China only):	Ricoh JP2800, Gestetner 5425C		
PGA3P (China only):	Ricoh JP3810P, Gestetner 5438P		
PGB4P (China only):	Ricoh JP2810P, Gestetner 5435P		

**Change:** The P/N for the MPU board.

**Reason:** The main firmware was changed (see RTB #RC238-011c and RTB #RC238-015).

**Note:** The P/N was changed because of a firmware bug. The MPU board itself was not changed.



<b>Model:</b> PRIPORT PINKGOLD/PGB4/PGP	<b>Date:</b> 28-Jan-05	<b>No:</b> M-C238-037
---	------------------------	-----------------------

### PINKGOLD Parts Catalog

Old #	New #	Description	Qty	Int	Page	Index
C2385105	C2385106	MPU Board	1	X/O	47	1

### PGB4 (Use PINKGOLD Parts Catalog)

Old #	New #	Description	Qty	Int	Page	Index
C2475105	C2475106	MPU Board - B4	1	X/O	47	1

### PGA3P (Use PINKGOLD Parts Catalog)

Old #	New #	Description	Qty	Int	Page	Index
C2465100	C2465106	PRINTED CIRCUIT BOARD: MPU: ASS'Y	1	X/O	47	1

### PGB4P (Use PINKGOLD Parts Catalog)

Old #	New #	Description	Qty	Int	Page	Index
C2545100	C2545106	PRINTED CIRCUIT BOARD: MPU: ASS'Y	1	X/O	47	1

- NOTE:**
- For parts that are common to all four models, refer to the PINKGOLD parts catalog.
  - The parts unique to the PGB4, PGA3P and PGB4P were announced in MB #MC238-002 and #MC238-025.

<b>Model:</b> PRIPORT PINKGOLD/PGB4/PGP	<b>Date:</b> 28-Jan-05	<b>No:</b> M-C238-037
---	------------------------	-----------------------

## CUT IN SERIAL NUMBERS

Model Name	V/Hz	Destination	Code	Serial Number
Standard SD370	120/60	USA	C238-11	Discontinued
Gestetner 5430	120/60	Taiwan	C238-13	
Ges 5430, Rex 1330, Nsa CP430	230/50	Europe	C238-22	
Gestetner 5430	230/50	Asia, etc.	C238-23	
Ricoh JP3800	230/50	China	C238-26	
Ricoh JP3000	230/50	Europe	C238-27	
Gestetner 5428C	230/50	China	C238-28	
Ricoh JP3000	230/50	Asia, etc.	C238-29	
Ricoh JP3000, Ges 5430, Savin 3260DNP	120/60	USA, Canada	C238-52	
Gestetner 5430, Nsa CP430	230/50	Latin America	C238-54	
Standard SD370	120/60	USA	C238-61	F0941070156
Gestetner 5430	120/60	Taiwan	C238-63	
Ges 5430, Rex 1330, Nsa CP430	230/50	Europe	C238-72	
Gestetner 5430	230/50	Asia, etc.	C238-73	
Ricoh JP3800	230/50	China	C238-76	
Ricoh JP3000	230/50	Europe	C238-77	
Gestetner 5428C	230/50	China	C238-78	
Ricoh JP3000	230/50	Asia, etc.	C238-79	
Ricoh JP3000, Ges 5430, Savin 3260DNP	120/60	USA, Canada	C238-92	
Gestetner 5430, Nsa CP430	230/50	Latin America	C238-94	
Ricoh JP2800	230/50	China	C247-76	F2441070059
Gestetner 5425C	230/50	China	C247-78	
Gestetner 5438P	230/50	China	C246-82	F3941170001
Ricoh JP3810P	230/50	China	C246-96	
Gestetner 5435P	230/50	China	C254-82	F4041170001
Ricoh JP2810P	230/50	China	C254-96	

**NOTE:** Some PINKGOLD machines before this cut-in S/N were fixed at the factory (see next page).

**Model:** PRIPORT PINKGOLD/PGB4/PGP

**Date:** 28-Jan-05

**No:** M-C238-037

## AFFECTED PINKGOLD MACHINES THAT WERE FIXED AT THE FACTORY

The S/N in **bold** below are affected machines that were **fixed before they were shipped** from the factory (they already have the fixed firmware).

May 2004 production (S/N: F0940570\*\*\*)

041	042	043	044	045	046	<b>047</b>	<b>048</b>	049	050
051	052	<b>053</b>	054	055	056	<b>057</b>	<b>058</b>	<b>059</b>	060

June 2004 production (S/N: F0940670\*\*\*)

001	002	<b>003</b>	<b>004</b>	<b>005</b>	006	007	008	009	010
011	012	013	014	<b>015</b>	016	<b>017</b>	018	019	020

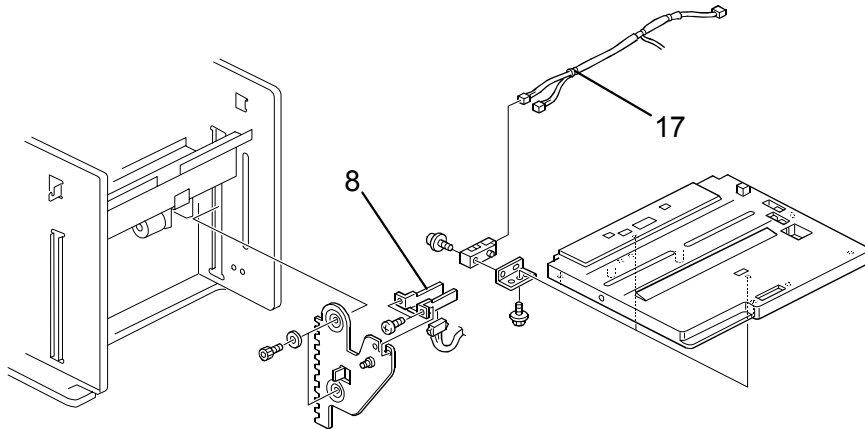
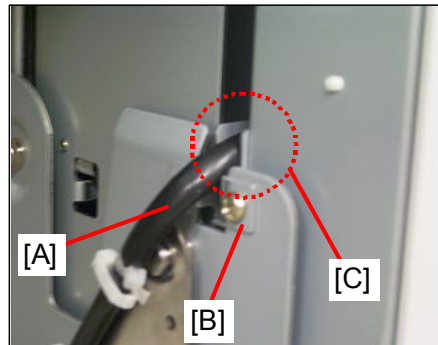
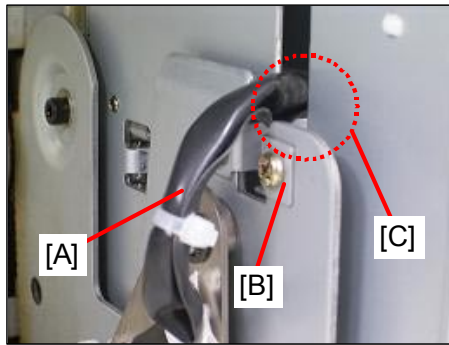
September 2004 production (F0940970\*\*\*)

<b>021</b>	<b>022</b>	<b>023</b>	<b>024</b>	<b>025</b>	<b>026</b>	<b>027</b>	028	<b>029</b>	030
<b>031</b>	<b>032</b>	<b>033</b>	<b>034</b>	<b>035</b>	<b>036</b>	<b>037</b>	<b>038</b>	<b>039</b>	<b>040</b>
<b>041</b>	<b>042</b>	<b>043</b>	<b>044</b>	<b>045</b>	<b>046</b>	<b>047</b>	048	049	050
051	052	053	054	055	<b>056</b>	<b>057</b>	058	059	<b>060</b>
061	062	063	064	065	<b>066</b>	<b>067</b>	068	069	070
071	072	073	074	075	076	077	078	079	080
081	082	083	084	085	086	087	088	089	090
091	092	093	094	095	096	097	098	099	100
101	102	103	104	105	106	107	108	109	110
111	112	113	114	115	116	117	118	119	120
121	122	123	<b>124</b>	125	126	127			

October 2004 production (S/N: F0941070\*\*\*)

<b>001</b>	<b>002</b>	<b>003</b>	<b>004</b>	<b>005</b>	<b>006</b>	<b>007</b>	<b>008</b>	<b>009</b>	<b>010</b>
<b>011</b>	<b>012</b>	<b>013</b>	<b>014</b>	<b>015</b>	<b>016</b>	<b>017</b>	<b>018</b>	<b>019</b>	<b>020</b>
<b>021</b>	<b>022</b>	<b>023</b>	<b>024</b>	<b>025</b>	<b>026</b>	<b>027</b>	<b>028</b>	<b>029</b>	<b>030</b>
<b>031</b>	<b>032</b>	<b>033</b>	<b>034</b>	<b>035</b>	<b>036</b>	<b>037</b>	<b>038</b>	<b>039</b>	<b>040</b>
041	<b>042</b>	043	044	045	046	047	<b>048</b>	049	050
051	052	053	054	055	056	057	058	059	060
061	062	063	064	065	066	067	068	069	070
071	072	073	074	075	076	077	078	079	080
081	<b>082</b>	083	<b>084</b>	085	086	<b>087</b>	088	089	<b>090</b>
091	<b>092</b>	093	094	<b>095</b>	096	097	098	<b>099</b>	<b>100</b>
101	102	103	104	105	<b>106</b>	<b>107</b>	<b>108</b>	<b>109</b>	<b>110</b>
<b>111</b>	<b>112</b>	<b>113</b>	<b>114</b>	<b>115</b>	<b>116</b>	<b>117</b>	<b>118</b>	<b>119</b>	<b>120</b>
<b>121</b>	<b>122</b>	<b>123</b>	<b>124</b>	125	<b>126</b>	127	<b>128</b>	129	130
131	<b>132</b>	<b>133</b>	134	<b>135</b>	136	137	<b>138</b>	<b>139</b>	140
141	142	143	144	145	146	147	148	149	<b>150</b>
<b>151</b>	<b>152</b>	153	<b>154</b>	<b>155</b>					

<b>Model:</b> PRIPORT PINKGOLD/PGB4/PGP	<b>Date:</b> 9-Feb-05	<b>No:</b> M-C238-038
<b>Modified Article:</b> Paper size sensor stay/Harness - paper feed tray	<b>Prepared by:</b>	
<b>From:</b> Priport Service Planning Section	M. Kanomata	
<b>Classification:</b>	<input type="checkbox"/> Parts catalog correction <input type="checkbox"/> Vendor change <input type="checkbox"/> To meet standards <input type="checkbox"/> To facilitate assembly <input checked="" type="checkbox"/> To improve reliability    (    ) <input type="checkbox"/> Part standardization <input type="checkbox"/> Other (    )	
<b>Model Name:</b>		
PINKGOLD:	Ricoh JP3000/JP3800, Gestetner 5430/5428C, RexRotary 1330, nashuatec CP430, Savin 3260DNP, Standard SD370, Lanier LDD030	
PGB4 (China only):	Ricoh JP2800, Gestetner 5425C	
PGA3P (China only):	Ricoh JP3810P, Gestetner 5438P	
PGB4P (China only):	Ricoh JP2810P, Gestetner 5435P	



**Changes:**

- 1) The shape of the paper size sensor stay [B].
- 2) The shape of the protective tube for the paper feed tray harness [A].
  - New shape: Cylindrical

**Reason:** To make sure the protective layer for the harness [A] is not damaged when the paper tray moves.

**Note:** For details, see RTB #RC238017



<b>Model:</b> PRIPORT PINKGOLD/PGB4/PGP	<b>Date:</b> 9-Feb-05	<b>No:</b> M-C238-038
---	-----------------------	-----------------------

### PINKGOLD Parts Catalog

Old #	New #	Description	Qty	Int	Page	Index
C2382793	C2472793	Paper Size Sensor Stay	1	X/O as a set	17	8
C2385236	C2475236	Harness - Paper Feed Tray	1		17	17

### PGB4 (Use PINKGOLD Parts Catalog)

Old #	New #	Description	Qty	Int	Page	Index
C2382793	C2472793	Paper Size Sensor Stay	1	X/O as a set	17	8
C2385236	C2475236	Harness - Paper Feed Tray	1		17	17

### PGA3P (Use PINKGOLD Parts Catalog)

Old #	New #	Description	Qty	Int	Page	Index
C2382793	C2472793	Paper Size Sensor Stay	1	X/O as a set	17	8
C2385236	C2475236	Harness - Paper Feed Tray	1		17	17

### PGB4P (Use PINKGOLD Parts Catalog)

Old #	New #	Description	Qty	Int	Page	Index
C2382793	C2472793	Paper Size Sensor Stay	1	X/O as a set	17	8
C2385236	C2475236	Harness - Paper Feed Tray	1		17	17

**Important:** When you install the new parts for the first time, install them **together as a set**.

- NOTE:**
- For parts that are common to all four models, refer to the PINKGOLD parts catalog.
  - The parts unique to the PGB4, PGA3P and PGB4P were announced in MB #MC238-002 and #MC238-025.

**Model:** PRIPORT PINKGOLD/PGB4/PGP

**Date:** 9-Feb-05

**No:** M-C238-038

## CUT IN SERIAL NUMBERS

Model Name	V/Hz	Destination	Code	Serial Number
Standard SD370	120/60	USA	C238-11	Discontinued
Gestetner 5430	120/60	Taiwan	C238-13	
Ges 5430, Rex 1330, Nsa CP430	230/50	Europe	C238-22	
Gestetner 5430	230/50	Asia, etc.	C238-23	
Ricoh JP3800	230/50	China	C238-26	
Ricoh JP3000	230/50	Europe	C238-27	
Gestetner 5428C	230/50	China	C238-28	
Ricoh JP3000	230/50	Asia, etc.	C238-29	
Ricoh JP3000, Ges 5430, Savin 3260DNP	120/60	USA, Canada	C238-52	
Gestetner 5430, Nsa CP430	230/50	Latin America	C238-54	
Standard SD370	120/60	USA	C238-61	F0940970001
Gestetner 5430	120/60	Taiwan	C238-63	
Ges 5430, Rex 1330, Nsa CP430	230/50	Europe	C238-72	
Gestetner 5430	230/50	Asia, etc.	C238-73	
Ricoh JP3800	230/50	China	C238-76	
Ricoh JP3000	230/50	Europe	C238-77	
Gestetner 5428C	230/50	China	C238-78	
Ricoh JP3000	230/50	Asia, etc.	C238-79	
Ricoh JP3000, Ges 5430, Savin 3260DNP	120/60	USA, Canada	C238-92	
Gestetner 5430, Nsa CP430	230/50	Latin America	C238-94	
Ricoh JP2800	230/50	China	C247-76	F2440970001
Gestetner 5425C	230/50	China	C247-78	
Gestetner 5438P	230/50	China	C246-82	F3950170001
Ricoh JP3810P	230/50	China	C246-96	
Gestetner 5435P	230/50	China	C254-82	F4041270001
Ricoh JP2810P	230/50	China	C254-96	

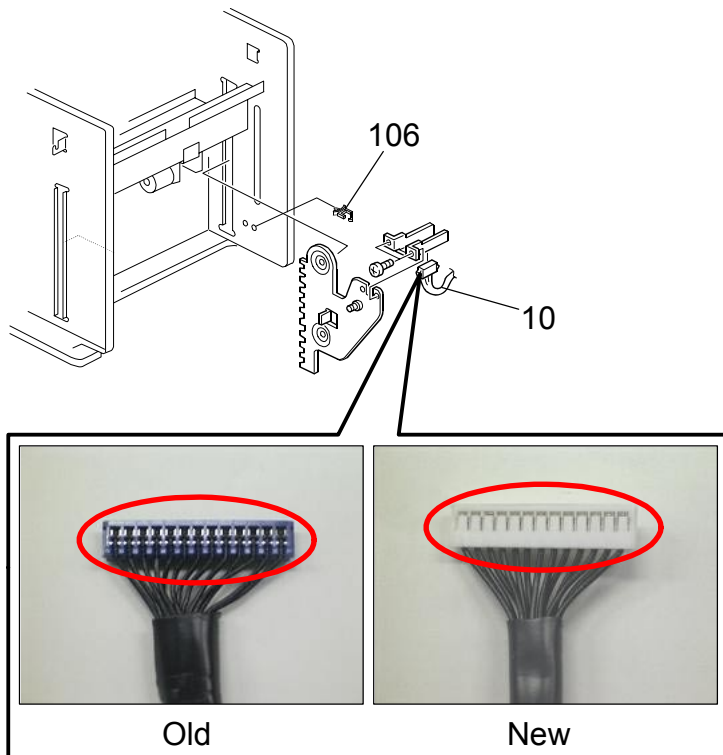
<b>Model:</b> PRIPORT PINKGOLD/PGB4/PGP	<b>Date:</b> 9-Feb-05	<b>No:</b> M-C238-039
<b>Modified Article:</b> Paper tray harness	<b>Prepared by:</b>	
<b>From:</b> Priport Service Planning Section	M. Kanomata	
<b>Classification:</b>	<input type="checkbox"/> Parts catalog correction <input type="checkbox"/> Vendor change <input type="checkbox"/> To meet standards <input type="checkbox"/> To facilitate assembly <input checked="" type="checkbox"/> To improve reliability    (    ) <input type="checkbox"/> Part standardization <input type="checkbox"/> Other (    )	
<b>Model Name:</b>		
PINKGOLD:	Ricoh JP3000/JP3800, Gestetner 5430/5428C, RexRotary 1330, nashuatec CP430, Savin 3260DNP, Standard SD370, Lanier LDD030	
PGB4 (China only):	Ricoh JP2800, Gestetner 5425C	
PGA3P (China only):	Ricoh JP3810P, Gestetner 5438P	
PGB4P (China only):	Ricoh JP2810P, Gestetner 5435P	

**Change:** The shape of paper tray harness was changed.

**Reason:** To make sure the harness stays connected to CN420.

**Important:**

- When you install the new C2475237 Paper Tray Harness on machines before the cut-in S/N, install it **together as a set** with the new 11050516 Clamp.
- P/N 11050511 was missing from the PINKGOLD Parts Catalog.
- P/N 11050516 was also added for parts standardization with the HP4.
- See RTB #RC238018 for more details.



<b>Model:</b> PRIPORT PINKGOLD/PGB4/PGP	<b>Date:</b> 9-Feb-05	<b>No:</b> M-C238-039
---	-----------------------	-----------------------

### PINKGOLD Parts Catalog

Old #	New #	Description	Qty	Int	Page	Index
C2385237	C2475237	PAPER TRAY HARNESS	1	X/O as a set	17	10
11050511	11050516	CLAMP	1		17	106

### PGB4 (Use PINKGOLD Parts Catalog)

Old #	New #	Description	Qty	Int	Page	Index
C2385237	C2475237	PAPER TRAY HARNESS	1	X/O as a set	17	10
11050511	11050516	CLAMP	1		17	106

### PGA3P (Use PINKGOLD Parts Catalog)

Old #	New #	Description	Qty	Int	Page	Index
C2385237	C2475237	PAPER TRAY HARNESS	1	X/O as a set	17	10
11050511	11050516	CLAMP	1		17	106

### PGB4P (Use PINKGOLD Parts Catalog)

Old #	New #	Description	Qty	Int	Page	Index
C2385237	C2475237	PAPER TRAY HARNESS	1	X/O as a set	17	10
11050511	11050516	CLAMP	1		17	106

- NOTE:**
- For parts that are common to all four models, refer to the PINKGOLD parts catalog.
  - The parts unique to the PGB4, PGA3P and PGB4P were announced in MB #MC238-002 and #MC238-025.

### SERIAL NUMBERS OF MACHINES BEFORE THE MODIFICATION

When you install the new C2475237 Paper Tray Harness on these machines, install it **together as a set** with the new 11050516 Clamp.

#### PINKGOLD:

First mass production → Up to F0930470402

#### PGB4:

First mass production → Up to F2430470255

**PGA3P/PGB4P:** None

<b>Model:</b> PRIPORT PINKGOLD/PGB4/PGP	<b>Date:</b> 9-Feb-05	<b>No:</b> M-C238-039
---	-----------------------	-----------------------

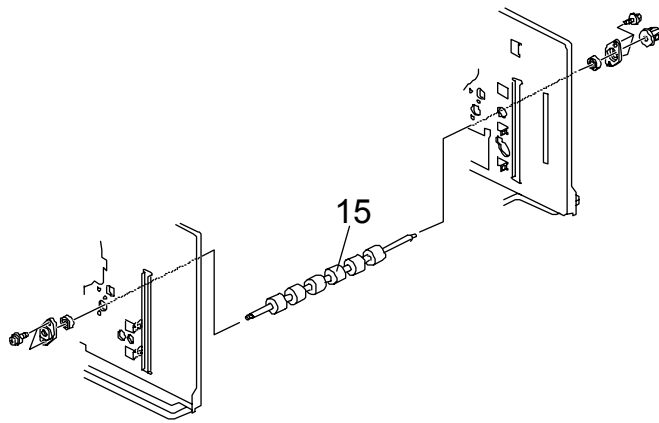
## CUT-IN SERIAL NUMBERS

Model Name	V/Hz	Destination	Code	Serial Number
Standard SD370	120/60	USA	C238-11	Discontinued
Gestetner 5430	120/60	Taiwan	C238-13	
Ges 5430, Rex 1330, Nsa CP430	230/50	Europe	C238-22	
Gestetner 5430	230/50	Asia, etc.	C238-23	
Ricoh JP3800	230/50	China	C238-26	
Ricoh JP3000	230/50	Europe	C238-27	
Gestetner 5428C	230/50	China	C238-28	
Ricoh JP3000	230/50	Asia, etc.	C238-29	
Ricoh JP3000, Ges 5430, Savin 3260DNP	120/60	USA, Canada	C238-52	
Gestetner 5430, Nsa CP430	230/50	Latin America	C238-54	
Standard SD370	120/60	USA	C238-61	F0940970001
Gestetner 5430	120/60	Taiwan	C238-63	
Ges 5430, Rex 1330, Nsa CP430	230/50	Europe	C238-72	
Gestetner 5430	230/50	Asia, etc.	C238-73	
Ricoh JP3800	230/50	China	C238-76	
Ricoh JP3000	230/50	Europe	C238-77	
Gestetner 5428C	230/50	China	C238-78	
Ricoh JP3000	230/50	Asia, etc.	C238-79	
Ricoh JP3000, Ges 5430, Savin 3260DNP	120/60	USA, Canada	C238-92	
Gestetner 5430, Nsa CP430	230/50	Latin America	C238-94	
Ricoh JP2800	230/50	China	C247-76	F2440970001
Gestetner 5425C	230/50	China	C247-78	
Gestetner 5438P	230/50	China	C246-82	F3950170001
Ricoh JP3810P	230/50	China	C246-96	
Gestetner 5435P	230/50	China	C254-82	F4041270001
Ricoh JP2810P	230/50	China	C254-96	

<b>Model:</b> PRIPORT PINKGOLD/PGB4/PGP		<b>Date:</b> 21-Apr-05	<b>No:</b> M-C238-040
<b>Modified Article:</b> Lower registration roller		<b>Prepared by:</b>	
<b>From:</b> Priport Service Planning Section		M. Kanomata	
<b>Classification:</b>	<input type="checkbox"/> Parts catalog correction	<input checked="" type="checkbox"/> Vendor change	<input type="checkbox"/> To meet standards
	<input type="checkbox"/> To facilitate assembly	<input type="checkbox"/> To improve reliability	( )
	<input type="checkbox"/> Part standardization	<input type="checkbox"/> Other ( )	
<b>Model Name:</b>			
PINKGOLD:	Ricoh JP3000/JP3800, Gestetner 5430/5428C, RexRotary 1330, nashuatec CP430, Savin 3260DNP, Standard SD370, Lanier LDD030		
PGB4 (China only):	Ricoh JP2800, Gestetner 5425C		
PGA3P (China only):	Ricoh JP3810P, Gestetner 5438P		
PGB4P (China only):	Ricoh JP2810P, Gestetner 5435P		

**Change:** P/N change only.

**Reason:** Vendor change.



**PINKGOLD Parts Catalog**

Old #	New #	Description	Qty	Int	Page	Index
C2382904	C2382926	Lower registration roller	1	O/O	19	15

**PINKGOLD Parts Catalog**

Old #	New #	Description	Qty	Int	Page	Index
C2382904	C2382926	Lower registration roller	1	O/O	19	15

**PINKGOLD Parts Catalog**

Old #	New #	Description	Qty	Int	Page	Index
C2382904	C2382926	Lower registration roller	1	O/O	19	15

**PINKGOLD Parts Catalog**

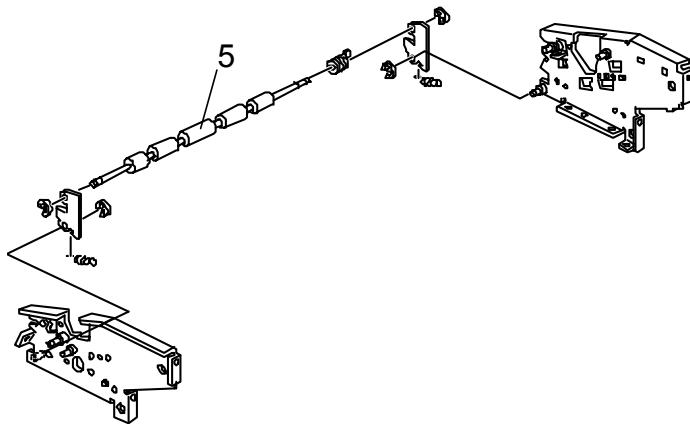
Old #	New #	Description	Qty	Int	Page	Index
C2382904	C2382926	Lower registration roller	1	O/O	19	15

- NOTE:**
- For parts that are common to all four models, refer to the PINKGOLD parts catalog.
  - The parts unique to the PGB4, PGA3P and PGB4P were announced in MB #MC238-002 and #MC238-025.

<b>Model:</b> PRIPORT PINKGOLD/PGB4/PGP		<b>Date:</b> 21-Apr-05	<b>No:</b> M-C238-041
<b>Modified Article:</b> Brake roller		<b>Prepared by:</b>	
<b>From:</b> Priport Service Planning Section		M. Kanomata	
<b>Classification:</b>	<input type="checkbox"/> Parts catalog correction	<input checked="" type="checkbox"/> Vendor change	<input type="checkbox"/> To meet standards
	<input type="checkbox"/> To facilitate assembly	<input type="checkbox"/> To improve reliability	( )
	<input type="checkbox"/> Part standardization	<input type="checkbox"/> Other ( )	
<b>Model Name:</b>			
PINKGOLD:	Ricoh JP3000/JP3800, Gestetner 5430/5428C, RexRotary 1330, nashuatec CP430, Savin 3260DNP, Standard SD370, Lanier LDD030		
PGB4 (China only):	Ricoh JP2800, Gestetner 5425C		
PGA3P (China only):	Ricoh JP3810P, Gestetner 5438P		
PGB4P (China only):	Ricoh JP2810P, Gestetner 5435P		

**Change:** P/N change only.

**Reason:** Vendor change.



### PINKGOLD Parts Catalog

Old #	New #	Description	Qty	Int	Page	Index
C2382076	C2382077	Brake roller	1	O/O	25	5

### PGB4 (Use PINKGOLD Parts Catalog)

Old #	New #	Description	Qty	Int	Page	Index
C2382076	C2382077	Brake roller	1	O/O	25	5

### PGA3P (Use PINKGOLD Parts Catalog)

Old #	New #	Description	Qty	Int	Page	Index
C2382076	C2382077	Brake roller	1	O/O	25	5

### PGB4P (Use PINKGOLD Parts Catalog)

Old #	New #	Description	Qty	Int	Page	Index
C2382076	C2382077	Brake roller	1	O/O	25	5

- NOTE:**
- For parts that are common to all four models, refer to the PINKGOLD parts catalog.
  - The parts unique to the PGB4, PGA3P and PGB4P were announced in MB #MC238-002 and #MC238-025.

<b>Model:</b> PRIPORT PINKGOLD/PGB4/PGP	<b>Date:</b> 7-Jun-05	<b>No:</b> M-C238-042
<b>Modified Article:</b> sensor bracket/drum position plate	<b>Prepared by:</b>	
<b>From:</b> Priport Service Planning Section	M. Kanomata	
<b>Classification:</b>	<input type="checkbox"/> Parts catalog correction <input type="checkbox"/> Vendor change <input type="checkbox"/> To meet standards <input type="checkbox"/> To facilitate assembly <input checked="" type="checkbox"/> To improve reliability    (    ) <input type="checkbox"/> Part standardization <input type="checkbox"/> Other (    )	
<b>Model Name:</b>		
PINKGOLD: Ricoh JP3000/JP3800, Gestetner 5430/5428C, RexRotary 1330, nashuatec CP430, Savin 3260DNP, Standard SD370, Lanier LDD030 PGB4 (China only): Ricoh JP2800, Gestetner 5425C PGA3P (China only): Ricoh JP3810P, Gestetner 5438P PGB4P (China only): Ricoh JP2810P, Gestetner 5435P		

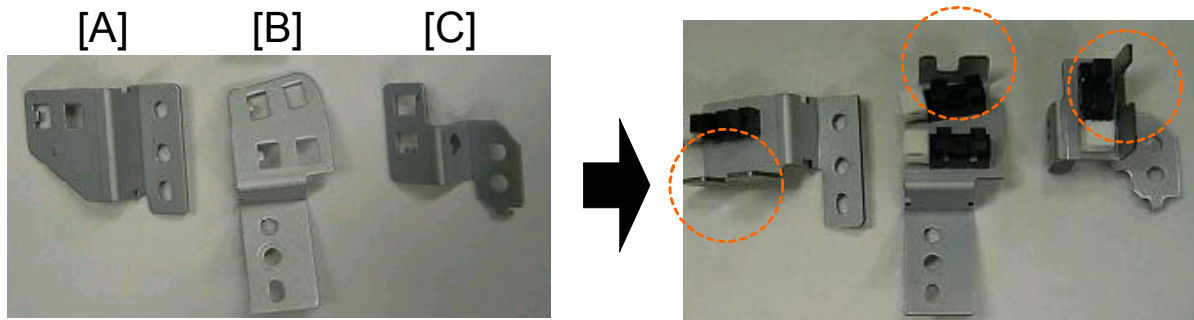
**Change:** Shape change.

**Reason:** To make sure the sensors stay attached to the sensor brackets.

**Note:** See RTB #RC238019 for details.

[A]: 2nd feed timing sensor, [B]: Paper exit timing sensor/Master eject position sensor (drum HP sensor), [C]: Feed start timing sensor bracket, [D]: Drum position plate

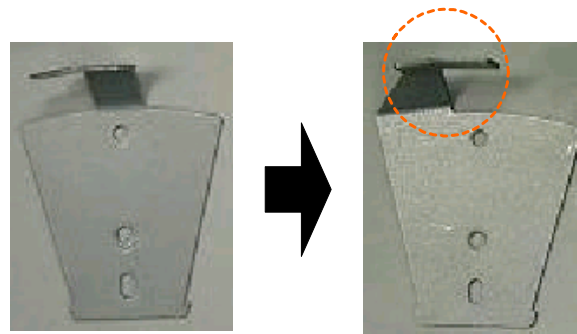
**Sensor Brackets ([A], [B], [C]):**



**Old**

**New**

**Drum Position Plate ([D]):**



**Old**

**New**



<b>Model:</b> PRIPORT PINKGOLD/PGB4/PGP	<b>Date:</b> 7-Jun-05	<b>No:</b> M-C238-042
---	-----------------------	-----------------------

### PINKGOLD Parts Catalog

Old #	New #	Description	Qty	Int	Page	Index
C2385613	C2565613	Drum Sensor Bracket3	1	X/O as a set	27	8
C2385609	C2565609	Drum Sensor Bracket2	1		27	11
C2385611	C2565611	Drum Sensor Bracket1	1		27	<b>20</b>
C2382375	C2562375	Drum Position Plate - Large	1		33	15



### PGB4 (Use PINKGOLD Parts Catalog)

Old #	New #	Description	Qty	Int	Page	Index
C2385613	C2565613	Drum Sensor Bracket3	1	X/O as a set	27	8
C2385609	C2565609	Drum Sensor Bracket2	1		27	11
C2385611	C2565611	Drum Sensor Bracket1	1		27	<b>20</b>
C2382375	C2562375	Drum Position Plate - Large	1		33	15

### PGA3P (Use PINKGOLD Parts Catalog)

Old #	New #	Description	Qty	Int	Page	Index
C2385613	C2565613	Drum Sensor Bracket3	1	X/O as a set	27	8
C2385609	C2565609	Drum Sensor Bracket2	1		27	11
C2385611	C2565611	Drum Sensor Bracket1	1		27	<b>20</b>
C2382375	C2562375	Drum Position Plate - Large	1		33	15

### PGB4P (Use PINKGOLD Parts Catalog)

Old #	New #	Description	Qty	Int	Page	Index
C2385613	C2565613	Drum Sensor Bracket3	1	X/O as a set	27	8
C2385609	C2565609	Drum Sensor Bracket2	1		27	11
C2385611	C2565611	Drum Sensor Bracket1	1		27	<b>20</b>
C2382375	C2562375	Drum Position Plate - Large	1		33	15

- NOTE:**
- For parts that are common to all four models, refer to the PINKGOLD parts catalog.
  - The parts unique to the PGB4, PGA3P and PGB4P were announced in MB #MC238-002 and #MC238-025.

<b>Model:</b> PRIPORT PINKGOLD/PGB4/PGP	<b>Date:</b> 7-Jun-05	<b>No:</b> M-C238-042
---	-----------------------	-----------------------

## CUT IN SERIAL NUMBERS

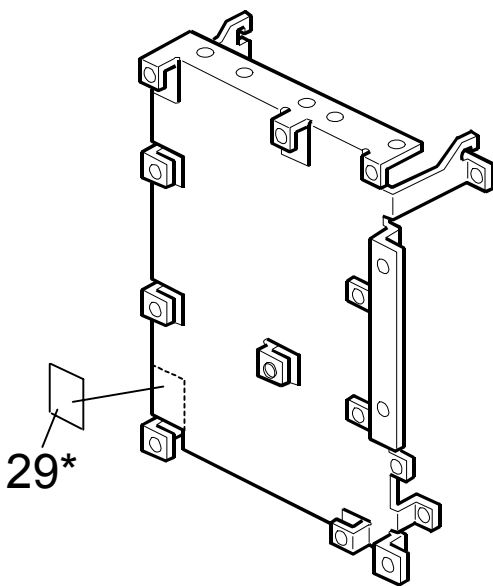
Model Name	V/Hz	Destination	Code	Serial Number
Standard SD370	120/60	USA	C238-11	Discontinued
Gestetner 5430	120/60	Taiwan	C238-13	
Ges 5430, Rex 1330, Nsa CP430	230/50	Europe	C238-22	
Gestetner 5430	230/50	Asia, etc.	C238-23	
Ricoh JP3800	230/50	China	C238-26	
Ricoh JP3000	230/50	Europe	C238-27	
Gestetner 5428C	230/50	China	C238-28	
Ricoh JP3000	230/50	Asia, etc.	C238-29	
Ricoh JP3000, Ges 5430, Savin 3260DNP	120/60	USA, Canada	C238-52	
Gestetner 5430, Nsa CP430	230/50	Latin America	C238-54	
Standard SD370	120/60	USA	C238-61	F0950470043
Gestetner 5430	120/60	Taiwan	C238-63	
Ges 5430, Rex 1330, Nsa CP430	230/50	Europe	C238-72	
Gestetner 5430	230/50	Asia, etc.	C238-73	
Ricoh JP3800	230/50	China	C238-76	
Ricoh JP3000	230/50	Europe	C238-77	
Gestetner 5428C	230/50	China	C238-78	
Ricoh JP3000	230/50	Asia, etc.	C238-79	
Ricoh JP3000, Ges 5430, Savin 3260DNP	120/60	USA, Canada	C238-92	
Gestetner 5430, Nsa CP430	230/50	Latin America	C238-94	
Ricoh JP2800	230/50	China	C247-76	F2450470001
Gestetner 5425C	230/50	China	C247-78	
Gestetner 5438P	230/50	China	C246-82	F3950470001
Ricoh JP3810P	230/50	China	C246-96	
Gestetner 5435P	230/50	China	C254-82	F4050470001
Ricoh JP2810P	230/50	China	C254-96	

<b>Model:</b> PRIPORT PINKGOLD/PGB4/PGP		<b>Date:</b> 6-Sep-05	<b>No:</b> M-C238-043
<b>Modified Article:</b> PAD: PLATE: HARNESS		<b>Prepared by:</b>	
<b>From:</b> Priport Service Planning Section		M. Kanomata	
<b>Classification:</b> <input type="checkbox"/> Parts catalog correction <input type="checkbox"/> Vendor change <input type="checkbox"/> To meet standards <input type="checkbox"/> To facilitate assembly <input checked="" type="checkbox"/> To improve reliability         (      ) <input type="checkbox"/> Part standardization <input type="checkbox"/> Other (      )			
<b>Model Name:</b> PINKGOLD: Ricoh JP3000/JP3800, Gestetner 5430/5428C, RexRotary 1330, nashuatec CP430, Savin 3260DNP, Standard SD370, Lanier LDD030 PGB4 (China only): Ricoh JP2800, Gestetner 5425C PGA3P (China only): Ricoh JP3810P, Gestetner 5438P PGB4P (China only): Ricoh JP2810P, Gestetner 5435P			

**Change:** The part shown below was added to the MPU bracket (P/N C2385601).

**Reason:** To ensure that the paper tray harness (P/N C2475237) stays in the correct position.

**Note:** See RTB #RC238020 for more details.



<b>Model:</b> PRIPORT PINKGOLD/PGB4/PGP	<b>Date:</b> 6-Sep-05	<b>No:</b> M-C238-043
---	-----------------------	-----------------------

### PINKGOLD Parts Catalog

Old #	New #	Description	Qty	Int	Page	Index
-	C2385620	PAD: PLATE: HARNESS	1	-	47	29*

\*: New index

### PGB4 (Use PINKGOLD Parts Catalog)

Old #	New #	Description	Qty	Int	Page	Index
-	C2385620	PAD: PLATE: HARNESS	1	-	47	29*

\*: New index

### PGA3P (Use PINKGOLD Parts Catalog)

Old #	New #	Description	Qty	Int	Page	Index
-	C2385620	PAD: PLATE: HARNESS	1	-	47	29*

\*: New index

### PGB4P (Use PINKGOLD Parts Catalog)

Old #	New #	Description	Qty	Int	Page	Index
-	C2385620	PAD: PLATE: HARNESS	1	-	47	29*

\*: New index

- NOTE:**
- For parts that are common to all four models, refer to the PINKGOLD parts catalog.
  - The parts unique to the PGB4, PGA3P and PGB4P were announced in MB #MC238-002 and #MC238-025.

**Model:** PRIPORT PINKGOLD/PGB4/PGP

**Date:** 6-Sep-05

**No:** M-C238-043

## CUT IN SERIAL NUMBERS

Model Name	V/Hz	Destination	Code	Serial Number	
Standard SD370	120/60	USA	C238-11	Discontinued	
Gestetner 5430	120/60	Taiwan	C238-13		
Ges 5430, Rex 1330, Nsa CP430	230/50	Europe	C238-22		
Gestetner 5430	230/50	Asia, etc.	C238-23		
Ricoh JP3800	230/50	China	C238-26		
Ricoh JP3000	230/50	Europe	C238-27		
Gestetner 5428C	230/50	China	C238-28		
Ricoh JP3000	230/50	Asia, etc.	C238-29		
Ricoh JP3000, Ges 5430, Savin 3260DNP	120/60	USA, Canada	C238-52		
Gestetner 5430, Nsa CP430	230/50	Latin America	C238-54		
Standard SD370	120/60	USA	C238-61		F0950870001
Gestetner 5430	120/60	Taiwan	C238-63		
Ges 5430, Rex 1330, Nsa CP430	230/50	Europe	C238-72		
Gestetner 5430	230/50	Asia, etc.	C238-73		
Ricoh JP3800	230/50	China	C238-76		
Ricoh JP3000	230/50	Europe	C238-77		
Gestetner 5428C	230/50	China	C238-78		
Ricoh JP3000	230/50	Asia, etc.	C238-79		
Ricoh JP3000, Ges 5430, Savin 3260DNP	120/60	USA, Canada	C238-92		
Gestetner 5430, Nsa CP430	230/50	Latin America	C238-94		
Ricoh JP2800	230/50	China	C247-76	F2450870001	
Gestetner 5425C	230/50	China	C247-78		
Gestetner 5438P	230/50	China	C246-82	F3950870001	
Ricoh JP3810P	230/50	China	C246-96		
Gestetner 5435P	230/50	China	C254-82	F4050870001	
Ricoh JP2810P	230/50	China	C254-96		